



BRONZE Y-STRAINERS

FOR MAXIMUM PROTECTION AGAINST FOREIGN PARTICLES

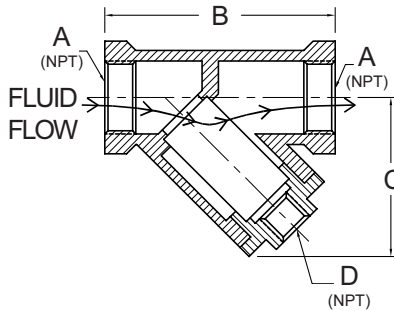
The PPE Y-Pattern Strainer offers maximum protection against foreign particles in piping systems and process equipment. The heavy duty cast bronze body and #20 mesh stainless steel screen are completely corrosion resistant. Protects regulators, pumps, meters, and other controls from damage due to sediment scale, metal chips, or other foreign materials. The bronze retainer cap is tapped and plugged for easy removal. Self-cleaning can be accomplished by opening the valve or plug connected to the blow-off outlet.

FEATURES

- HEAVY DUTY CAST BRONZE BODY.
- CAP IS THREADED AND GASKETED.
- BRASS BLOW-OFF OUTLET.
- Y-PATTERN BODY.
- SELF-ALIGNING SCREEN.
- TAPPED DRAIN PLUG OPENING IN CAP.
- TYPE 304 STAINLESS SCREEN #20 MESH.
- 150 PSI SATURATED STEAM.
- 300 PSI WOG NON-SHOCK.
- SELF-CLEANING.
- NON-ASBESTOS GASKET.



Water
Oil
Gas



BRONZE Y-STRAINERS

| PART NO. | A THREAD SIZE | B (INCH) | C (INCH) | D PLUG (NPT) | PRICES | |
|----------|---------------------|-------------|-------------|--------------------|---------|---------|
| | | | | | 1-5 | 6+ |
| YS14 | 1/4" | 2.60 | 1.89 | 1/4" | \$10.25 | \$9.80 |
| YS38 | 3/8" | 2.60 | 1.89 | 1/4" | \$9.70 | \$9.30 |
| YS12 | 1/2" | 3.13 | 2.28 | 1/4" | \$11.30 | \$10.80 |
| YS34 | 3/4" | 3.43 | 2.36 | 1/4" | \$14.95 | \$14.30 |
| YS1 | 1" | 4.09 | 2.83 | 3/8" | \$22.20 | \$21.30 |
| YS114 | 1-1/4" | 4.90 | 3.23 | 3/8" | \$36.90 | \$35.35 |
| YS112 | 1-1/2" | 5.59 | 3.74 | 1/2" | \$71.00 | \$69.00 |
| YS2 | 2" | 6.69 | 4.72 | 1/2" | \$73.75 | \$70.60 |

SPARE END CAPS

(Includes Cap, Plug & Gasket)

| FITS MODEL | PART NO. | PRICE |
|---------------|-------------|---------|
| YS14 | YS14EC | \$3.90 |
| YS38 | YS14EC | \$3.90 |
| YS12 | YS12EC | \$4.40 |
| YS34 | YS34EC | \$5.20 |
| YS1 | YS10EC | \$7.35 |
| YS114 | YS114EC | \$9.45 |
| YS112 | YS112EC | \$13.90 |
| YS2 | YS20EC | \$20.10 |

SPARE SCREENS

| FITS MODEL | OLD STYLE | | | INTERIM STYLE | | | CURRENT STYLE | | | PRICE EACH |
|---------------|-----------|--------|-------|---------------|--------|-------|---------------|--------|-------|---------------|
| | PART NO. | LENGTH | O.D. | PART NO. | LENGTH | O.D. | PART NO. | LENGTH | O.D. | |
| YS14 | MYS14S | 1.503 | .640 | n/a | n/a | n/a | YS14S | 1.505 | .624 | \$1.53 |
| YS38 | MYS14S | 1.503 | .640 | n/a | n/a | n/a | YS14S | 1.505 | .624 | \$1.53 |
| YS12 | MYS12S | 1.962 | .754 | n/a | n/a | n/a | YS12S | 1.988 | .754 | \$1.53 |
| YS34 | MYS34S | 1.504 | .878 | YS34SC | 1.593 | .796 | YS34S | 1.507 | .870 | \$2.25 |
| YS1 | n/a | n/a | n/a | YS10SC | 1.955 | 1.024 | YS10S | 2.095 | 1.099 | \$2.90 |
| YS114 | MYS114S | 2.049 | 1.245 | YS114SC | 1.969 | 1.300 | YS114S | 2.634 | 1.353 | \$3.45 |
| YS112 | n/a | n/a | n/a | YS112SC | 2.235 | 1.535 | YS112S | 2.957 | 1.670 | \$4.60 |
| YS2 | MYS20S | 4.024 | 2.007 | YS20SC | 2.737 | 2.003 | YS20S | 4.034 | 2.127 | \$7.75 |



PLASTIC PROCESS EQUIPMENT, INC.

www.ppe.com • e-mail: sales@ppe.com

6385 Montessouri Street, Las Vegas, Nevada 89113
PPE WEST 702-433-6385 • 800-258-8877 • Fax: 702-433-6388

11218 Challenger Avenue, Odessa, Florida 33556
PPE SOUTH 727-834-8888 • 800-282-6783 • Fax: 727-834-8873

8303 CORPORATE PARK DRIVE, MACEDONIA (Cleveland), OHIO 44056, USA

216-367-7000 • Toll Free: 800-321-0562 • Fax: 216-367-7022 • Order Fax: 800-223-8305

Toll Free: USA, Canada & Mexico
800-362-0706