



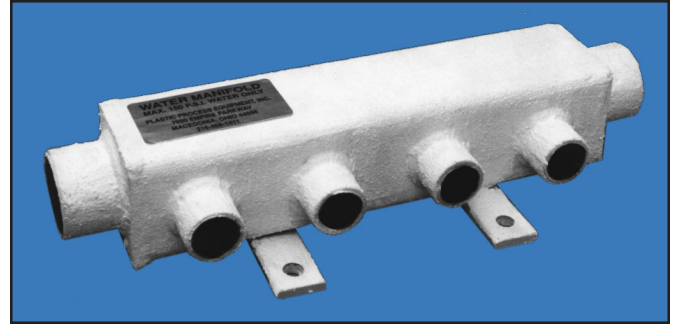
INSULATION PAINT INSULPAINT® FOR INSULATING HOT OR COLD SURFACES

Insulpaint® is a low viscosity, non-toxic, water-based insulation coating for hot process surfaces including manifolds, pipes, tanks, etc. Insulpaint® is designed to control heat loss and offers personal protection from hot process piping and equipment plus controls condensation on cold surfaces.

FEATURES

- Simple Surface Preparation Required (steel needs primer).
- Easy to Apply by Spray, Roller or Brush.
- Cured System Provides a Water Seal and Self-protective Surface.
- Fire Retardant - will not support combustion.
- Economical - When exposed to sunlight 15 mils has insulating power of 4" of Fiberglass Insulation for Heat Insulation.
- Will Keep Cold Pipes from Sweating.
- USDA Approved.
- Color: Off White.
- Insulation Ratings: @ 15 mils
Outdoor Applications > R-19.
Indoor Applications > R-5.
- Coverage 94 FT²/Gal. @ 15 mils DFT.

ISO-9001
MANUFACTURED IN A
QUALITY SYSTEM CERTIFIED
FACILITY.



Ideal for insulating hot or cold fluid manifolds. Helps control heat loss or stops condensation on cold surfaces.

- Application thickness: 8-20 mils/coat WFT.
- Application temp. range: 50°F to ambient.
- Temp Range: Ambient to 450°F.
- Cure time for use: Tack Free 4-6 Hrs.
- Cure time full: 28 days.

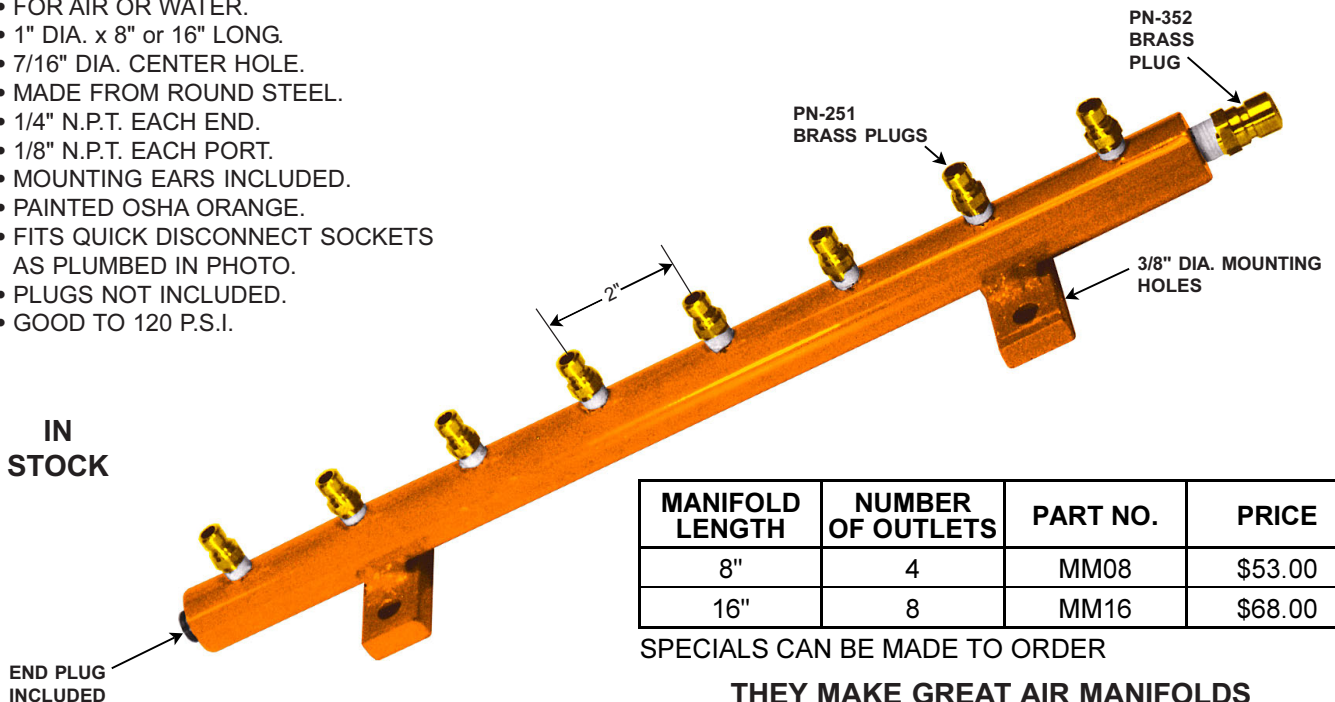
PART NO.	DESCRIPTION	PRICE EA.
PA001	1 GAL. CAN	\$56.50
PA005	5 GAL. CAN	280.00



MINI-MANIFOLDS IDEAL FOR USE WITH SMALLER EQUIPMENT

- FOR AIR OR WATER.
- 1" DIA. x 8" or 16" LONG.
- 7/16" DIA. CENTER HOLE.
- MADE FROM ROUND STEEL.
- 1/4" N.P.T. EACH END.
- 1/8" N.P.T. EACH PORT.
- MOUNTING EARS INCLUDED.
- PAINTED OSHA ORANGE.
- FITS QUICK DISCONNECT SOCKETS AS PLUMBED IN PHOTO.
- PLUGS NOT INCLUDED.
- GOOD TO 120 P.S.I.

IN
STOCK



MANIFOLD LENGTH	NUMBER OF OUTLETS	PART NO.	PRICE
8"	4	MM08	\$53.00
16"	8	MM16	\$68.00

SPECIALS CAN BE MADE TO ORDER

THEY MAKE GREAT AIR MANIFOLDS



PLASTIC PROCESS EQUIPMENT, INC.

PPE WEST 6385 Montessouri Street, Las Vegas, Nevada 89113
702-433-6385 • 800-258-8877 • Fax: 702-433-6388

PPE SOUTH 11218 Challenger Avenue, Odessa, Florida 33556
727-834-8888 • 800-282-6783 • Fax: 727-834-8873

8303 CORPORATE PARK DRIVE, MACEDONIA (Cleveland), OHIO 44056, USA

216-367-7000 • Toll Free: 800-321-0562 • Fax: 216-367-7022 • Order Fax: 800-223-8305

www.ppe.com • e-mail: sales@ppe.com

Toll Free: USA, Canada & Mexico
800-362-0706