



TERMINAL BOXES & CONNECTORS

TERMINAL BOXES FOR MOLD POWER INPUT CONNECTORS



Part No.	Zones	"X"	"Y"	Price
PIC512TB	5,8,12	4.25	4.87	\$49.80
PICH23TB	2,3	4.99	5.61	\$75.00
PICH56TB	5,6	6.05	6.67	\$77.10

TERMINAL BOXES FOR THERMOCOUPLE CONNECTORS



Part No.	Zones	"X"	"Y"	Price
MTC5TB	5	4.25	4.87	\$49.80
MTC8TB	8	4.99	5.61	\$52.60
MTC12TB	12	6.05	6.67	\$54.45

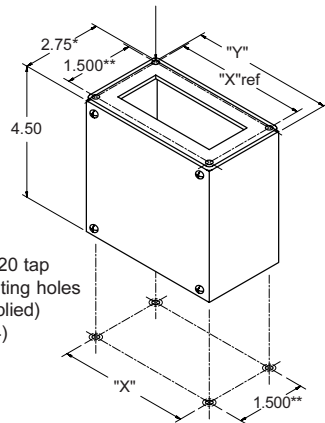
COMBINATION TERMINAL BOXES FOR MOLD POWER INPUT AND THERMOCOUPLE CONNECTORS



Part No.	Zones	"X"	"Y"	Price
PTC5TB	5	8.03	8.65	\$56.35
PTC8TB	8	8.84	9.46	\$58.25
PTC12TB	12	9.90	10.53	\$61.10
PTCH23TB	2,3	9.90	10.53	\$75.20
PTCH56TB	5,6	10.43	11.06	\$77.10

Terminal Box Dimensions

(4) holes in top plate may be used as a template for mounting holes



Use 1/4-20 tap for mounting holes (not supplied) typical (4)

*2.75 dimension is 4.50 for PICH56TB & PTCH56TB.
**1.500 dimension is 3.250 for PICH56TB & PTCH56TB.



MOLD POWER/INPUT CONNECTORS

Part No.	Zones	Amps	Price
PIC5	5	15	\$35.00
PIC8	8	15	38.50
PIC12	12	15	48.00
PICH23	2,3	30	75.20
PICH5	5	30	169.10
PICH6	6	30	178.50

THERMOCOUPLE CONNECTORS



Part No.	Zones	Price
MTC5	5	\$41.50
MTC8	8	\$47.75
MTC12	12	\$57.00

TERMINAL BOXES FOR SINGLE, DUAL & TRI-ZONE CONNECTORS



Part No.	Used with Part Numbers	Accepts Connectors	Price
PTC1TB	PIM1B15, PIM2B10, MFP1, MFLD1C5	One 5 Pin (CKPT1C1)	\$48.85
PTC2TB	MFFMP2, MFPR2	Two 5 Pin (CKPT1C1)	56.35
PTC3TB	MFLD3N5, MFLD3C5	Three 5 Pin (CKPT1C1)	56.35
MTC8TB	MFLD3NP, MFLD3CP	Tri-Zone (TPT03)	52.60

SINGLE, DUAL & TRI-ZONE CONNECTORS



Part No.	Zones	Price
CKPT1C1	1,2,3	\$12.95
TPT03	3	56.40



PLASTIC PROCESS EQUIPMENT, INC.

6385 Montessouri Street, Las Vegas, Nevada 89113
702-433-6385 • 800-258-8877 • Fax: 702-433-6388

11218 Challenger Avenue, Odessa, Florida 33556
727-834-8888 • 800-282-6783 • Fax: 727-834-8873

8303 CORPORATE PARK DRIVE, MACEDONIA (Cleveland), OHIO 44056, USA

216-367-7000 • Toll Free: 800-321-0562 • Fax: 216-367-7022 • Order Fax: 800-223-8305

www.ppe.com • e-mail: sales@ppe.com

Toll Free: USA, Canada & Mexico
800-362-0706