

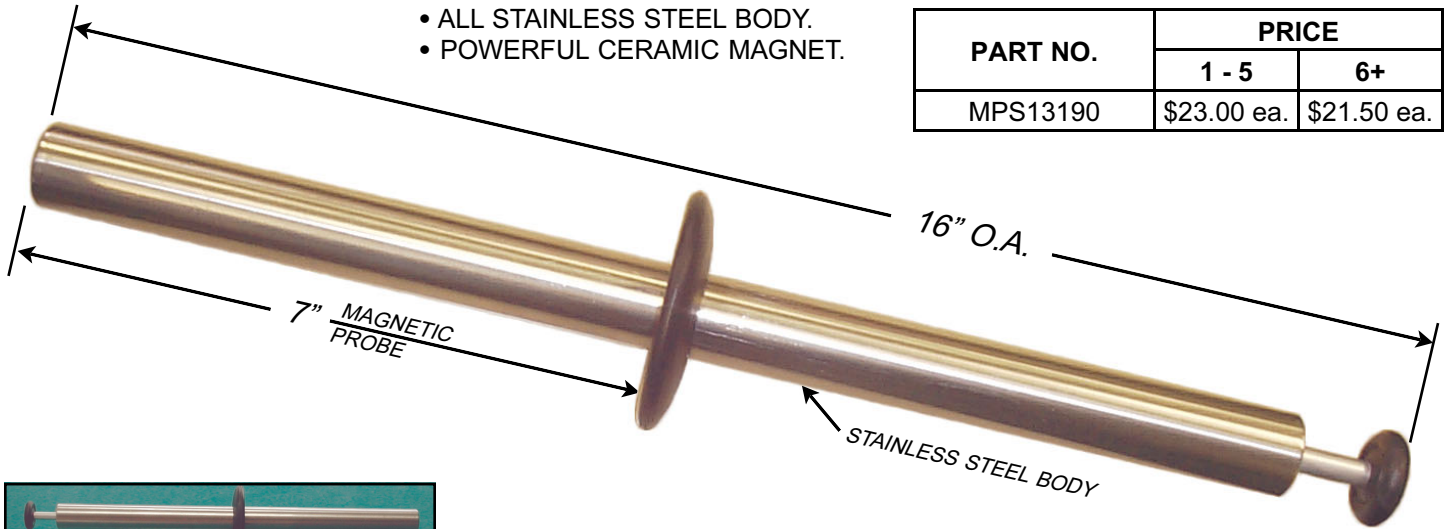


MAGNETIC POWER STICK

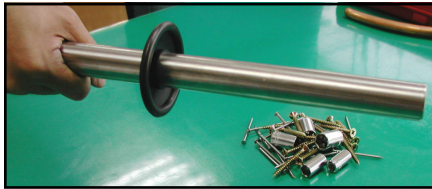
POWERFUL - SELF CLEANING

- ALL STAINLESS STEEL BODY.
- POWERFUL CERAMIC MAGNET.

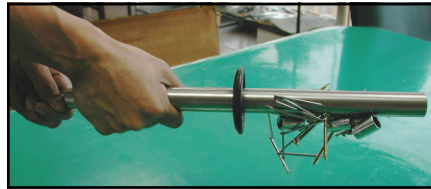
PART NO.	PRICE	
	1 - 5	6+
MPS13190	\$23.00 ea.	\$21.50 ea.



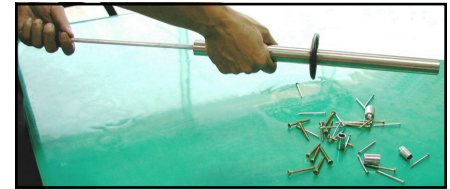
1. Plunger with magnet forward.



2. Ready for use.



3. Gathers ferrous metals.

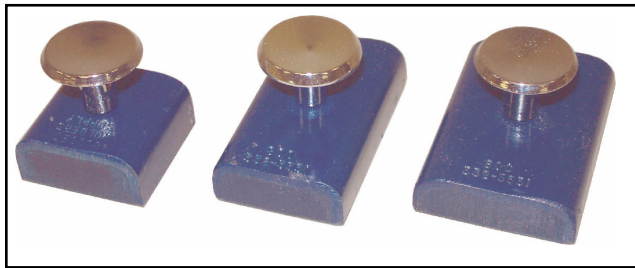


4. To clean, retract plunger with magnet and metal stops against part shield.



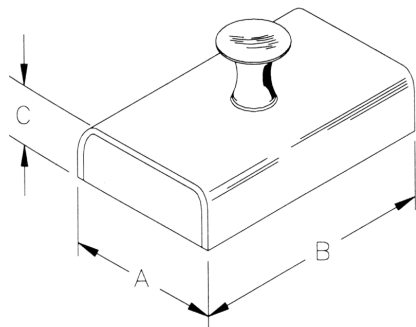
HOLDING MAGNETS

FOR NOTES - CHARTS - BLUEPRINTS - SCHEDULES - ETC.



Holding Magnets are a handy decorative method of holding notes, charts, blueprints, Mfg. drawings, instructions, schedules, etc., to any suitable metal surface such as desks, file cabinets, machinery, etc. They are ideal for mounting jobs in process to manufacturing machinery.

CONSTRUCTION: Powerful ceramic magnet material is encapsulated in a mild steel enclosure with a high-impact epoxy to provide a durable assembly. A chrome plated knob is fastened to the assembly to permit easy handling. Three magnetic strengths are available from stock.



PART NUMBER	DIMENSIONS			HOLDING VALUE LBS.	PRICES EA.		
	A	B	C		1-9	10-23	24+
WM10	1 3/8	1 3/8	5/8	10	3.30	3.15	2.95
WM12	1 3/8	2 3/8	9/16	12	3.70	3.50	3.30
WM25	1 5/8	2 3/8	9/16	25	6.60	6.25	5.95

MIX OR MATCH FOR PRICE BREAKS



PLASTIC PROCESS EQUIPMENT, INC.

6385 Montessouri Street, Las Vegas, Nevada 89113
702-433-6385 • 800-258-8877 • Fax: 702-433-6388

11218 Challenger Avenue, Odessa, Florida 33556
727-834-8888 • 800-282-6783 • Fax: 727-834-8873

8303 CORPORATE PARK DRIVE, MACEDONIA (Cleveland), OHIO 44056, USA

Toll Free: USA, Canada & Mexico

PPE

216-367-7000 • Toll Free: 800-321-0562 • Fax: 216-367-7022 • Order Fax: 800-223-8305

800-362-0706