

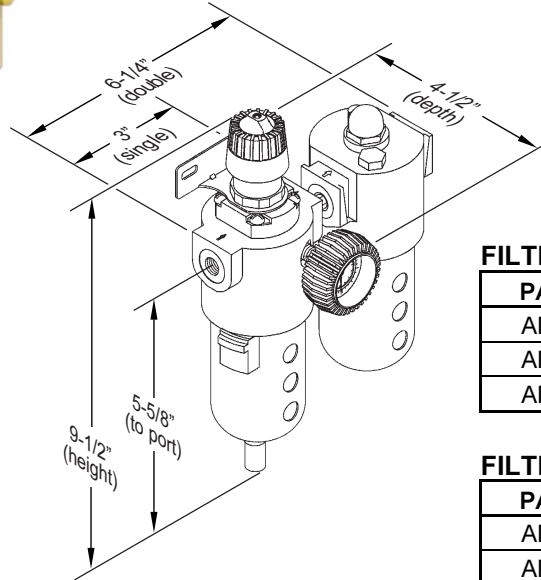


# AIR LINE FILTER COMBINATION UNITS

## EFFICIENT - ECONOMICAL - DEPENDABLE



SPECIFY  
PORT  
SIZE



- FOR PRESSURES 0-150 P.S.I.G.
- TEMPERATURE RANGE 41° TO 140°F.
- THREE PORT SIZES AVAILABLE.
- FILTER BOWL CAPACITY 4 oz. w/MANUAL DRAIN.
- FILTER RATING 40-60 MICRON.
- LUBRICATOR CAPACITY 4 oz. PLASTIC BOWL.
- 2" 0-160 PSI PRESSURE GAUGE WITH PROTECTIVE RUBBER BOOT INCLUDED WITH EACH UNIT.
- MOUNTING BRACKET

**AVAILABLE  
WITH OR WITHOUT  
LUBRICATOR**

### FILTER/REGULATOR/LUBRICATOR

PART NO.	PORT SIZES	PRICE
AMC420D	1/4" NPTF	\$68.00
AMC421D	3/8" NPTF	\$68.00
AMC422D	1/2" NPTF	\$68.00

### FILTER/REGULATOR

PART NO.	PORT SIZES	PRICE
AMC403D	1/4" NPTF	\$48.00
AMC404D	3/8" NPTF	\$48.00
AMC405D	1/2" NPTF	\$48.00

## ELASTOMER MATERIAL INFORMATION

- **EPDM** (ethylene propylene diene monomer) – Very resistant to weathering and ozone, good to very good aging resistance and low temperature flexibility, low electrical conductivity and resistance to polar chemicals. It is used most often in the construction and automotive industries. Proposed as a natural rubber substitute in tires.
- **Viton** - Is the most specified fluoroelastomer, known for its excellent (400°F/200°C) heat resistance. It offers excellent resistance to aggressive fuels and chemicals. This compound is used extensively in applications including automotive, fluid power devices, industrial appliances and chemical plants. Ideal as gaskets, o-rings, oil seals, hose, tubing and diaphragms.
- **Neoprene** - Maintains its strength, flexing, twisting and elongation well over a wide temperature range with good resistance to oil, solvents, heat and weathering. It was Americas first successful synthetic rubber.
- **Nitrile** (Buna N) - A copolymer of butadiene and acrylonitrile. In addition to its excellent elastomer properties, it is resistant to oils, fats, caustics, and aliphatic hydrocarbons such as motor fuels. Useful as motor gaskets, conveyor belts and hoses. Nitrile is not suitable for solvents and chlorinated hydrocarbons. It's maximum temperature limit is 212°F.
- **SBR** (styrene-butadiene rubber) - Very economical and possesses no unique chemical resistance properties. This rubber can be compounded to provide very fine abrasion, wear and tensile qualities and often substituted for natural rubber in many applications with significant cost savings. Widely used in the HVAC and construction industries, this is a good choice when deciding to choose a material that has good mechanical properties and flexibility.
- **Silicone Rubber** - This rubber is inert, very flexible and can be used in medical and FDA environments. In addition to high temperatures, silicone has superior resistance to water and works well as an electrical insulator. Silicone RTV is a ideal caulk and sealant.



**PLASTIC PROCESS EQUIPMENT, INC.**

www.ppe.com • e-mail: sales@ppe.com

**PPE WEST** 6385 Montessouri Street, Las Vegas, Nevada 89113  
702-433-6385 • 800-258-8877 • Fax: 702-433-6388

**PPE SOUTH** 11218 Challenger Avenue, Odessa, Florida 33556  
727-834-8888 • 800-282-6783 • Fax: 727-834-8873

8303 CORPORATE PARK DRIVE, MACEDONIA (Cleveland), OHIO 44056, USA

216-367-7000 • Toll Free: 800-321-0562 • Fax: 216-367-7022 • Order Fax: 800-223-8305

Toll Free: USA, Canada & Mexico  
**800-362-0706**