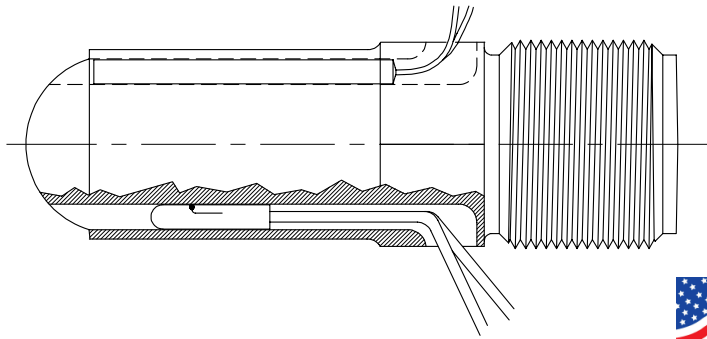




CARTRIDGE TYPE THERMOCOUPLES

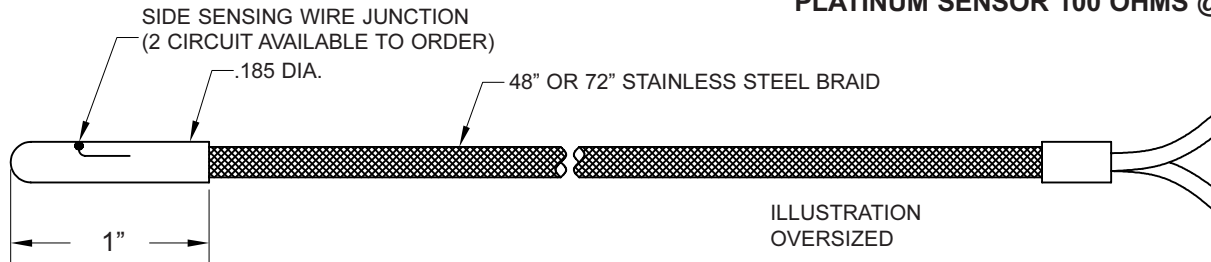
SIDE SENSING DESIGN FOR CARTRIDGE HEATED NOZZLES OR OTHER DRILLED HOLE APPLICATIONS



PPE Model CTC-1 cartridge type thermocouple has been designed for the use primarily with our cartridge heated nozzles where temperature measurement was desired at various positions over the length of the nozzle. The unique side sensing junction eliminates the need to bottom the T.C. in a blind hole for temperature readings. It can be used in nozzles, molds, dies, etc.. It requires a .1875 dia. hole.



TYPE J = IRON/CONSTANTAN
TYPE K = CHROMEL/ALUMEL
TYPE RTD = 2 WIRE 0.00385 CURVE,
PLATINUM SENSOR 100 OHMS @ 0°C



PRICES

PART NO.	DESCRIPTION	QUANTITY PRICING	
		1-9	10+
CTC-148	TYPE J CARTRIDGE T.C. 3/16" DIA. x 48" S.S. LEADS	\$8.60	\$8.25
CTC-172	TYPE J CARTRIDGE T.C. 3/16" DIA x 72" S.S. LEADS	\$11.40	\$11.00
CTCK-148	TYPE K CARTRIDGE T.C. 3/16" DIA x 48" S.S. LEADS	\$10.70	\$10.25
CTCK-172	TYPE K CARTRIDGE T.C. 3/16" DIA x 72" S.S. LEADS	\$14.55	\$14.00
CTC-148RTD	RTD CARTRIDGE SENSOR, 3/16" DIA x 48" S.S. LEADS	\$41.20	\$39.65
CTC-172RTD	RTD CARTRIDGE SENSOR, 3/16" DIA x 72" S.S. LEADS	\$46.40	\$44.75

LONGER STAINLESS STEEL BRAIDED LEADS AVAILABLE, SPECIFY LENGTH AND ADD PER FOOT - TYPE J= \$1.55 ft.
 LONGER STAINLESS STEEL BRAIDED LEADS AVAILABLE, SPECIFY LENGTH AND ADD PER FOOT - TYPE K= \$1.80 ft.
 LONGER STAINLESS STEEL BRAIDED LEADS AVAILABLE, SPECIFY LENGTH AND ADD PER FOOT - TYPE RTD= \$2.25 ft.



PLASTIC PROCESS EQUIPMENT, INC.

EAST 8303 CORPORATE PARK DRIVE
 MACEDONIA, OHIO 44056
 216-367-7000 • FAX: 216-367-7022
 TOLL FREE: 800-321-0562

WEST 6385 MONTESSOURI STREET
 LAS VEGAS, NEVADA 89113
 702-433-6385 • FAX: 702-433-6388
 TOLL FREE: 800-258-8877

www.ppe.com
 e-mail: sales@ppe.com

Toll Free: USA, Canada & Mexico
800-362-0706

Order Fax: 800-223-8305