



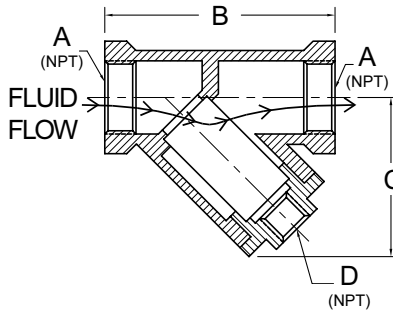
# BRONZE Y-STRAINERS

FOR MAXIMUM PROTECTION AGAINST FOREIGN PARTICLES

The PPE Y-Pattern Strainer offers maximum protection against foreign particles in piping systems and process equipment. The heavy duty cast bronze body and #20 mesh stainless steel screen are completely corrosion resistant. Protects regulators, pumps, meters, and other controls from damage due to sediment scale, metal chips, or other foreign materials. The bronze retainer cap is tapped and plugged for easy removal. Self-cleaning can be accomplished by opening the valve or plug connected to the blow-off outlet.

## FEATURES

- HEAVY DUTY CAST BRONZE BODY.
- CAP IS THREADED AND GASKETED.
- BRASS BLOW-OFF OUTLET.
- Y-PATTERN BODY.
- SELF-ALIGNING SCREEN.
- TAPPED DRAIN PLUG OPENING IN CAP.
- TYPE 304 STAINLESS SCREEN #20 MESH.
- 150 PSI SATURATED STEAM.
- 300 PSI WOG NON-SHOCK.
- SELF-CLEANING.
- NON-ASBESTOS GASKET.



## BRONZE Y-STRAINERS

PART NO.	A THREAD SIZE	B (INCH)	C (INCH)	D PLUG (NPT)	PRICES	
					1-5	6+
YS14	1/4"	2.60	1.89	1/4"	\$10.25	\$9.80
YS38	3/8"	2.60	1.89	1/4"	\$9.70	\$9.30
YS12	1/2"	3.13	2.28	1/4"	\$11.30	\$10.80
YS34	3/4"	3.43	2.36	1/4"	\$14.95	\$14.30
YS1	1"	4.09	2.83	3/8"	\$22.20	\$21.30
YS114	1-1/4"	4.90	3.23	3/8"	\$36.90	\$35.35
YS112	1-1/2"	5.59	3.74	1/2"	\$71.00	\$69.00
YS2	2"	6.69	4.72	1/2"	\$73.75	\$70.60

## SPARE END CAPS (Includes Cap, Plug & Gasket)

FITS MODEL	PART NO.	PRICE
YS14	YS14EC	\$3.90
YS38	YS14EC	\$3.90
YS12	YS12EC	\$4.40
YS34	YS34EC	\$5.20
YS1	YS10EC	\$7.35
YS114	YS114EC	\$9.45
YS112	YS112EC	\$13.90
YS2	YS20EC	\$20.10

## SPARE SCREENS

FITS MODEL	OLD STYLE			INTERIM STYLE			CURRENT STYLE			PRICE EACH
	PART NO.	LENGTH	O.D.	PART NO.	LENGTH	O.D.	PART NO.	LENGTH	O.D.	
YS14	MYS14S	1.503	.640	n/a	n/a	n/a	YS14S	1.505	.624	\$1.53
YS38	MYS14S	1.503	.640	n/a	n/a	n/a	YS14S	1.505	.624	\$1.53
YS12	MYS12S	1.962	.754	n/a	n/a	n/a	YS12S	1.988	.754	\$1.53
YS34	MYS34S	1.504	.878	YS34SC	1.593	.796	YS34S	1.507	.870	\$2.25
YS1	n/a	n/a	n/a	YS10SC	1.955	1.024	YS10S	2.095	1.099	\$2.90
YS114	MYS114S	2.049	1.245	YS114SC	1.969	1.300	YS114S	2.634	1.353	\$3.45
YS112	n/a	n/a	n/a	YS112SC	2.235	1.535	YS112S	2.957	1.670	\$4.60
YS2	MYS20S	4.024	2.007	YS20SC	2.737	2.003	YS20S	4.034	2.127	\$7.75



**PLASTIC PROCESS EQUIPMENT, INC.**

www.ppe.com • e-mail: sales@ppe.com

6385 Montessouri Street, Las Vegas, Nevada 89113  
PPE WEST 702-433-6385 • 800-258-8877 • Fax: 702-433-6388

11218 Challenger Avenue, Odessa, Florida 33556  
PPE SOUTH 727-834-8888 • 800-282-6783 • Fax: 727-834-8873

8303 CORPORATE PARK DRIVE, MACEDONIA (Cleveland), OHIO 44056, USA

Toll Free: USA, Canada & Mexico

PPE 216-367-7000 • Toll Free: 800-321-0562 • Fax: 216-367-7022 • Order Fax: 800-223-8305

**800-362-0706**