



NYLON MANIFOLDS

SPECIFICATIONS

ISO-9002
MANUFACTURED IN A
QUALITY SYSTEM CERTIFIED
FACILITY.



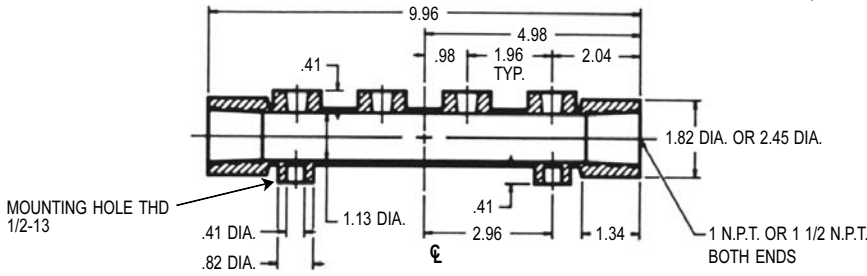
**AVAILABLE IN
RED OR BLUE**

Supply Size/Part No.

To order add: R for RED
B for BLUE

1" NPT { NM4114
 NM4138

1 1/2" NPT { NM411238
 NM411212

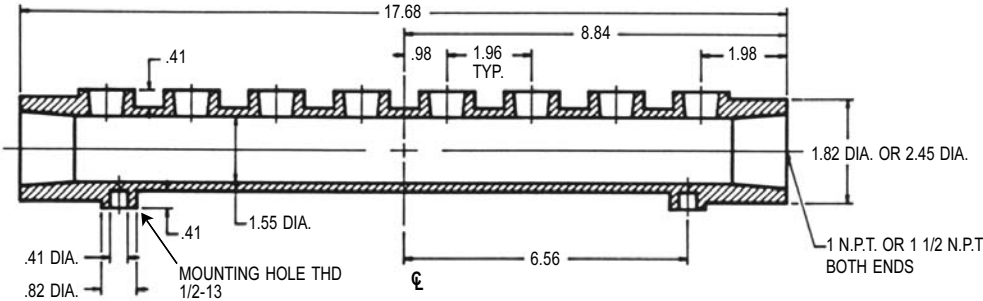


Supply Size/Part No.

To order add: R for RED
B for BLUE

1" NPT { NM8114
 NM8138

1 1/2" NPT { NM811238
 NM811212

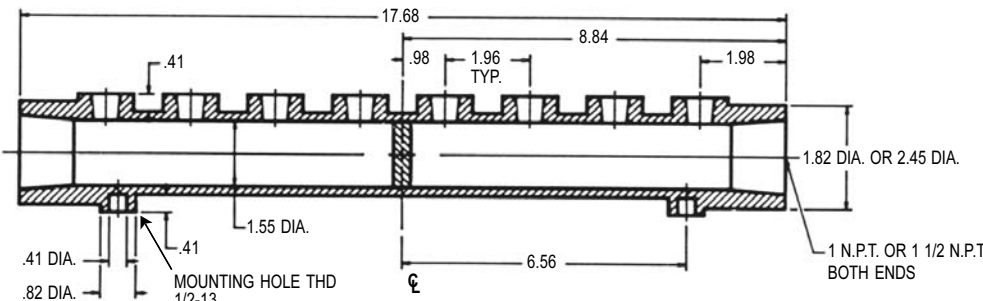


Supply Size/Part No.

To order add: R for RED
B for BLUE

1" NPT { NM44114
 NM44138

1 1/2" NPT { NM4411238
 NM4411212

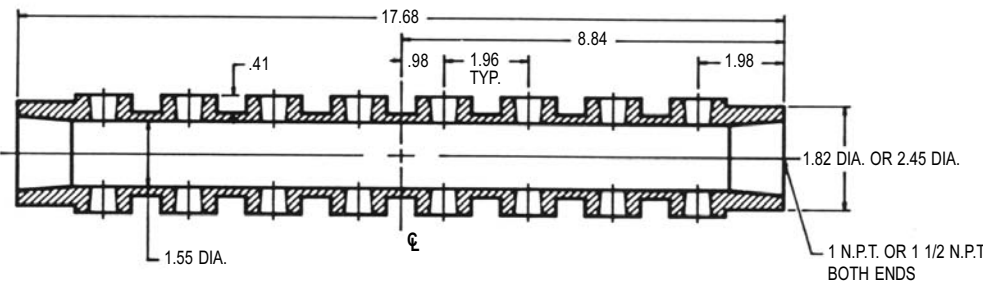


Supply Size/Part No.

To order add: R for RED
B for BLUE

1" NPT { NM16114
 NM16138

1 1/2" NPT { NM1611238
 NM1611212

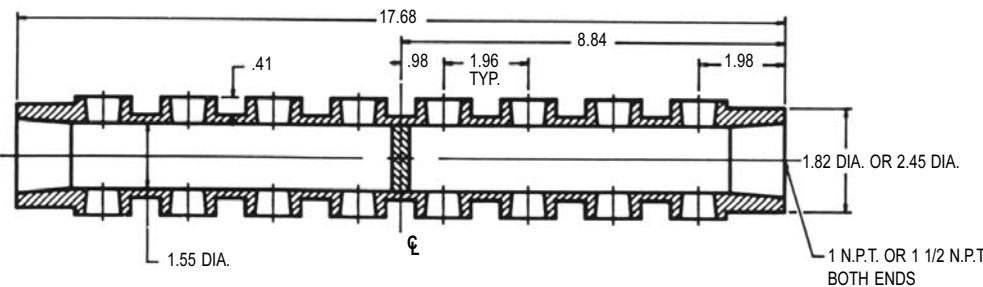


Supply Size/Part No.

To order add: R for RED
B for BLUE

1" NPT { NM88114
 NM88138

1 1/2" NPT { NM8811238
 NM8811212



PLASTIC PROCESS EQUIPMENT, INC.

www.ppe.com • e-mail: sales@ppe.com

PPE WEST 6385 Montessouri Street, Las Vegas, Nevada 89113
702-433-6385 • 800-258-8877 • Fax: 702-433-6388

PPE SOUTH 11218 Challenger Avenue, Odessa, Florida 33556
727-834-8888 • 800-282-6783 • Fax: 727-834-8873

8303 CORPORATE PARK DRIVE, MACEDONIA (Cleveland), OHIO 44056, USA

Toll Free: USA, Canada & Mexico
800-362-0706

PPE 216-367-7000 • Toll Free: 800-321-0562 • Fax: 216-367-7022 • Order Fax: 800-223-8305