



MOLD PRY BARS

- HEAVY DUTY FORGED ALLOY STEEL
- SMOOTH FINISHED TAPERS
- HEAT TREATED
- BLACK OXIDE RUST RESISTANT



MODEL 7037
30" Length O.A.



MODEL 7035
18" Length O.A.



MODEL 7032
18" Length O.A.



MODEL 7025
16 1/4" Length O.A.

IN STOCK!
NO MINIMUMS
NO MAXIMUMS
HIGHEST QUALITY
LOWEST PRICES

| MODEL NO. | DESCRIPTION | PRICES EACH |
|-----------|--|-------------|
| 7037 | 30" Long x 3/4" Hex Stock Large Radius Head | \$19.75 |
| 7035 | 18" Long x 5/8" Hex Stock Medium Radius Head | \$9.80 |
| 7032 | 18" Long x 5/8" Hex Stock Rolling Head | \$9.90 |
| 7025 | 16-1/4" Long x 5/8 Hex Stock Prying Head | \$8.50 |

MOLDERS HAVE TOLD US OUR TOOLS ARE BETTER QUALITY THAN OUR COMPETITORS

SAVE 10%

MODEL MPB-4 PRY BAR KIT
KIT INCLUDES ONE OF EACH TOOL
VALUE \$47.95 **\$43.00**



BULLET MAGNETS ⁵ MODELS

SUPER POWER - RARE EARTH MAGNETS FOR JUST-IN-TIME LOADERS

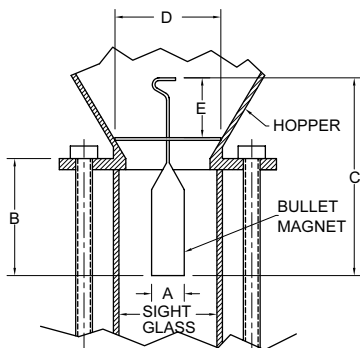
FEATURES & BENEFITS

- Longer lengths for more magnetic surface area.
- Two magnet diameters, 1 inch & 5/8 inch.
- Five sizes to fit most sight glass throats.
- Sealed welded construction.
- Super power rare earth magnet.



The PPE Bullet Magnets are Super Power Rare Earth (Neodymium-Iron-Boron) Cartridges welded to a stainless steel wire ring. They are designed to be suspended in the center of the sight glass tube of your hopper loader to catch and hold tramp ferrous metals. This position allows you to inspect the magnet for metal build-up. The magnet will not interfere with your proximity level control switch. The stainless ring can be bent to suit your required diameter for the correct suspension height.

Ring can be expanded or contracted to vary mounting elevation.



THE BETTER BULLET MAGNETS

Model 200115
Fits PPE
Venturi Loader



| PART NO. | DIMENSIONS | | | | | PRICE EACH |
|----------|------------|------------|----------|----------|--------|------------|
| | "A" DIA. | "B" LENGTH | "C" O.A. | "D" RING | "E" | |
| 200115 | 1" | 3" | 9-1/2" | 4-3/8" | --- | \$120.00 |
| 200116 | 1" | 4-1/2" | 8" | 2-1/2" | 3" | \$125.00 |
| 200117 | 1" | 4-1/2" | 8" | 1-3/4" | 3" | \$125.00 |
| 200118 | 5/8" | 2-7/8" | 6-1/8" | 1-3/4" | 2-3/4" | \$78.00 |
| 200119 | 5/8" | 2-7/8" | 6-1/8" | 2-1/2" | 2-3/4" | \$78.00 |