

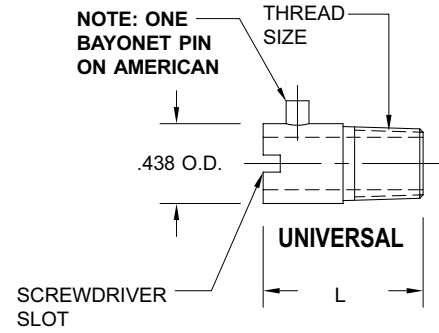


THERMOCOUPLE BAYONET ADAPTORS

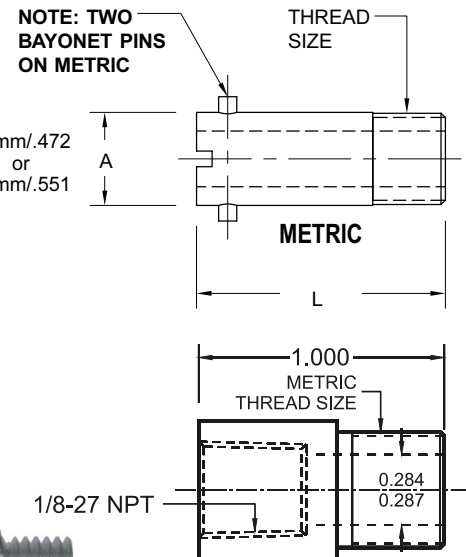
UNIVERSAL ADAPTORS TO FIT STANDARD THERMOCOUPLES
AMERICAN — METRIC — BRITISH STANDARD

UNIVERSAL ADAPTORS TO FIT STANDARD THERMOCOUPLES.

| PART NO. | THREAD SIZE | L DIM. LENGTH | # PINS | QUANTITY PRICING | |
|----------|----------------|---------------|--------|------------------|--------|
| | | | | 1-11 | 12+ |
| 78-T | 1/8-27 N.P.T | 7/8" | 1 | \$1.20 | \$1.10 |
| 114-T | 1/8-27 N.P.T | 1-1/4" | 1 | 1.35 | 1.25 |
| 214-T | 1/8-27 N.P.T | 2-1/4" | 1 | 1.75 | 1.65 |
| 300-T | 1/8-27 N.P.T | 3" | 1 | 3.05 | 2.85 |
| 350-T | 1/8-27 N.P.T | 3-1/2" | 1 | 3.35 | 3.15 |
| 78-S | 3/8-24 N.F. | 7/8" | 1 | 1.20 | 1.10 |
| 114-S | 3/8-24 N.F. | 1-1/4" | 1 | 1.35 | 1.25 |
| 214-S | 3/8-24 N.F. | 2-1/4" | 1 | 1.75 | 1.65 |
| 300-S | 3/8-24 N.F. | 3" | 1 | 3.05 | 2.85 |
| 78-BS | 1/8-28 B.S.P.T | 7/8" | 1 | 2.75 | 2.50 |
| 114-BS | 1/8-28 B.S.P.T | 1-1/4" | 1 | 3.25 | 3.00 |
| 111-M | 10x1.5mm | 1-1/2" | 1 | 3.30 | 3.15 |
| 212-M | 10X1.5mm | 2-1/2" | 1 | 4.50 | 4.25 |
| 112-M | 12X1mm | 1-1/2" | 1 | 3.35 | 3.10 |
| 213-M | 12X1mm | 2-1/2" | 1 | 4.65 | 4.40 |
| 314-M | 12X1.75mm | 1-1/2" | 1 | 3.05 | 2.85 |
| 415-M | 12X1.75mm | 2-1/2" | 1 | 4.30 | 4.05 |
| 113-M | 14X1.5mm | 1-1/2" | 1 | 3.30 | 3.10 |
| 238-M | 14X1.5mm | 2-3/8" | 1 | 4.75 | 4.40 |



These Universal Bayonet Adaptors are available with Metric threads and a .438 Body Diameter. This allows you to use American Standard lower priced Thermocouples in your Metric threaded T.C. holes.

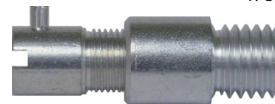


METRIC ADAPTORS TO FIT METRIC THERMOCOUPLES

| A DIM | PART NO. | THREAD SIZE | L DIM. LENGTH | # PINS | QUANTITY PRICING | |
|-----------|----------|-------------|---------------|--------|------------------|--------|
| | | | | | 1-11 | 12+ |
| 12mm/.472 | M121 | 12X1mm | 1-1/2" | 2 | \$3.85 | \$3.65 |
| 12mm/.472 | M122 | 12X1mm | 2-1/2" | 2 | 5.25 | 5.00 |
| 12mm/.472 | M123 | 12X1.5mm | 1-1/2" | 2 | 3.55 | 3.35 |
| 12mm/.472 | M125 | 12X1.5mm | 2-1/2" | 2 | 5.10 | 4.85 |
| 12mm/.472 | M127 | 12X1.75mm | 1-1/2" | 2 | 3.05 | 2.85 |
| 12mm/.472 | M129 | 12X1.75mm | 2-1/2" | 2 | 4.30 | 4.05 |
| 14mm/.551 | M141 | 14X1.5mm | 1-1/2" | 2 | 3.95 | 3.75 |
| 14mm/.551 | M142 | 14X1.5mm | 2-1/2" | 2 | 5.45 | 5.25 |

METRIC TO AMERICAN CONVERSION ADAPTORS

| PART NO. | METRIC THREAD SIZE | QUANTITY PRICING | |
|----------|--------------------|------------------|--------|
| | | 1-11 | 12+ |
| CAM10150 | 10X1.5mm | \$3.60 | \$3.40 |
| CAM14150 | 14X1.5mm | 3.60 | 3.40 |
| CAM12175 | 12X1.75mm | 3.60 | 3.40 |



This allows you to use American Standard lower priced Thermocouples in your Metric threaded T.C. holes.

METRIC TO AMERICAN CONVERSION ADAPTORS



T/C BAYONET ADAPTOR WITH STRAP CLAMP

| PART NO. | CLAMPING RANGE | ADAPTOR O.A.L. | PRICE EACH |
|-----------|------------------|----------------|------------|
| TCHSS-101 | 9/16" to 1-1/16" | 1-1/4" | \$5.00 |
| TCHSS-241 | 1-1/16" to 2" | 1-1/4" | 5.00 |
| TCHSS-361 | 1-3/4" to 2-1/2" | 1-1/4" | 5.00 |
| TCHSS-481 | 2-1/2" to 3-1/2" | 1-1/4" | 5.00 |
| TCHSS-641 | 3-3/8" to 4-1/2" | 1-1/4" | 6.00 |
| TCHSS-961 | 4-1/2" to 6-1/2" | 1-1/4" | 6.00 |
| TCHSS-102 | 9/16" to 1-1/16" | 2" | 6.00 |
| TCHSS-242 | 1-1/16" to 2" | 2" | 6.25 |
| TCHSS-362 | 1-3/4" to 2-1/2" | 2" | 6.25 |
| TCHSS-482 | 2-1/2" to 3-1/2" | 2" | 6.25 |
| TCHSS-642 | 3-3/8" to 4-1/2" | 2" | 6.25 |
| TCHSS-962 | 4-1/2" to 6-1/2" | 2" | 6.25 |

FOR SURFACE MOUNTING NO DRILLING REQUIRED

- Designed for surface applications where a drilled thermocouple hole is impractical.
- Worm gear hose clamp.
- 9/16" wide clamp with 7/16" hexagon and screw drive slot.
- Two adaptor lengths.
- Adaptor body dia. = .438

