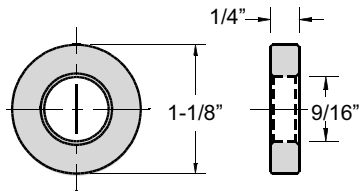




HEAVY DUTY MACHINED WASHERS

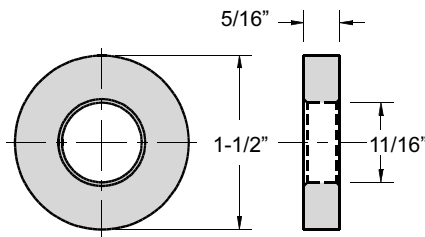
DESIGNED FOR TOUGH MOLD CLAMPING REQUIREMENTS

4140 STEEL
HEAT TREATED
40-46 Rc



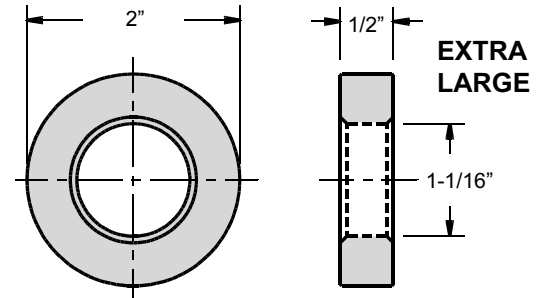
MODEL W-118

1-8 PCS	\$1.14
9-23 PCS	\$1.08
24-99 PCS	\$1.03
100+ PCS	\$.97



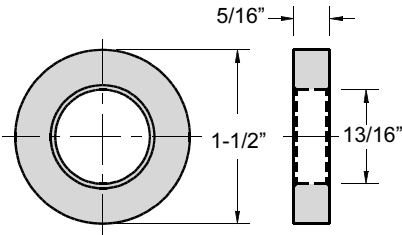
MODEL W-113

1-8 PCS	\$1.13
9-23 PCS	\$1.09
24-99 PCS	\$1.05
100+ PCS	\$.99



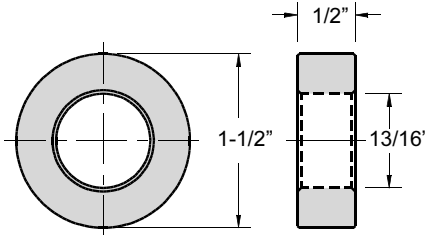
MODEL W-5

1-8 PCS	\$3.60
9-23 PCS	\$3.45
24-99 PCS	\$3.30
100+ PCS	\$3.15



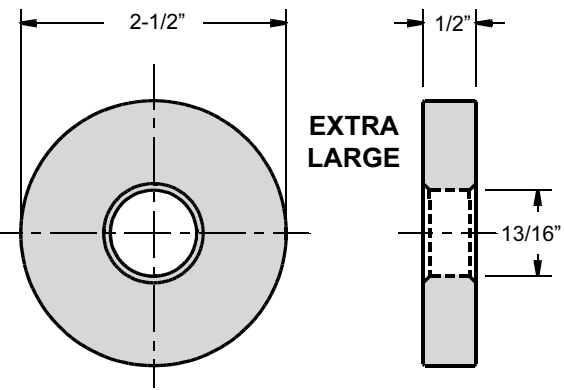
MODEL W-112

1-8 PCS	\$1.13
9-23 PCS	\$1.09
24-99 PCS	\$1.05
100+ PCS	\$.99



MODEL W-114

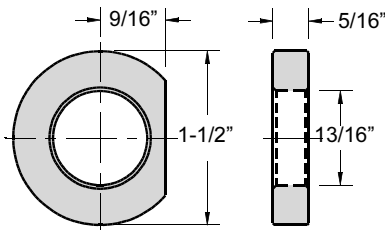
1-8 PCS	\$1.56
9-23 PCS	\$1.51
24-99 PCS	\$1.46
100+ PCS	\$1.42



MODEL W-6

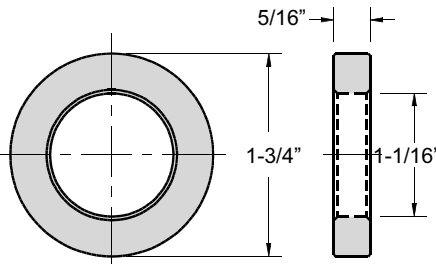
1-8 PCS	\$5.10
9-23 PCS	\$4.90
24+	\$4.70

ONE SIDE FLAT FOR
CLOSE UP CLAMPING



MODEL W-112F

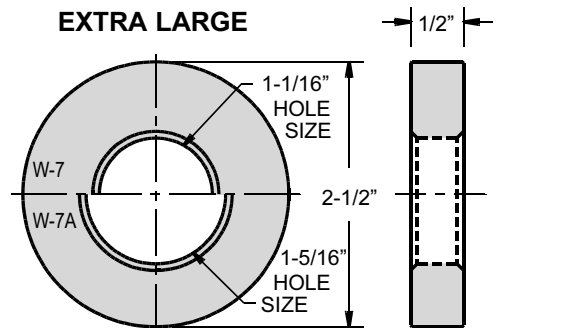
1-8 PCS	\$1.56
9-23 PCS	\$1.51
24-99 PCS	\$1.46
100+ PCS	\$1.42



MODEL W-134

1-8 PCS	\$1.66
9-23 PCS	\$1.61
24-99 PCS	\$1.56
100+ PCS	\$1.52

Note: Drawings are not to scale.



MODEL W-7

1-8 PCS	\$5.10
9-23 PCS	\$4.90
24+	\$4.70

MODEL W-7A

1-8 PCS	\$5.35
9-23 PCS	\$5.15
24+	\$4.95



PLASTIC PROCESS EQUIPMENT, INC.

www.ppe.com • e-mail: sales@ppe.com

6385 Montessouri Street, Las Vegas, Nevada 89113
PPE WEST 702-433-6385 • 800-258-8877 • Fax: 702-433-6388

11218 Challenger Avenue, Odessa, Florida 33556
PPE SOUTH 727-834-8888 • 800-282-6783 • Fax: 727-834-8873

8303 CORPORATE PARK DRIVE, MACEDONIA (Cleveland), OHIO 44056, USA

Toll Free: USA, Canada & Mexico
800-362-0706

PPE 216-367-7000 • Toll Free: 800-321-0562 • Fax: 216-367-7022 • Order Fax: 800-223-8305