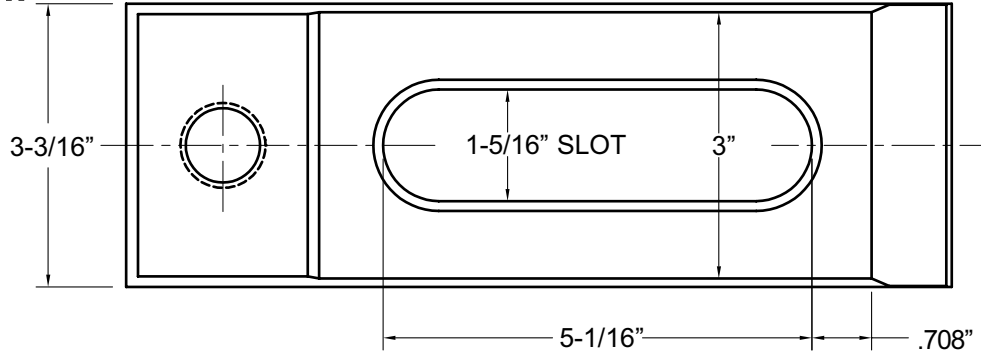




# 9-1/2" HEAVY DUTY FORGED MOLD CLAMPS

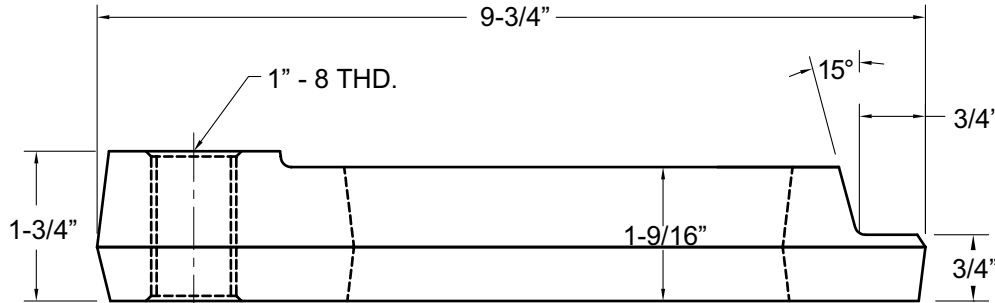
FOR 1 1/4" - 7 THD. PLATEN HOLES  
FORGED & HEAT TREATED



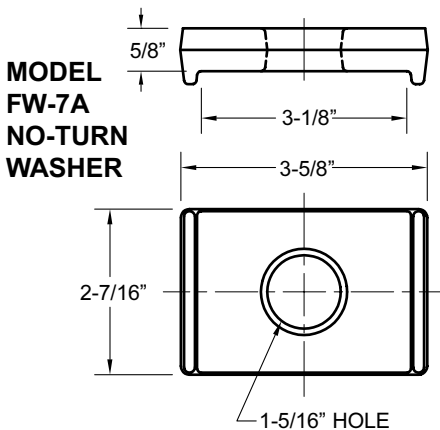
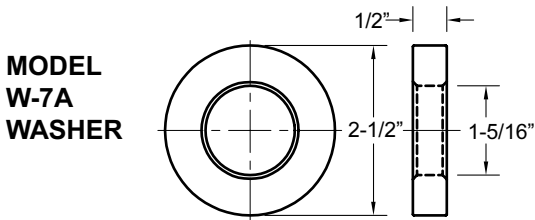
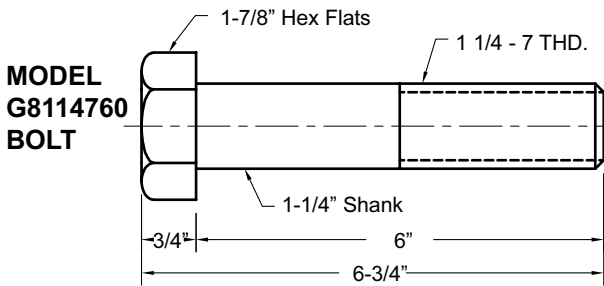
FOR  
1 1/4 - 7  
PLATEN  
HOLES

CLOSED TOE  
FOR  
MORE STRENGTH

APPROX.  
CLAMP  
WEIGHT  
10 LBS. 6 OZ.

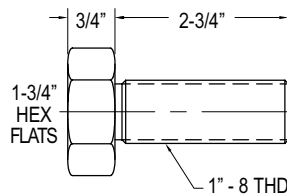


**MODEL FCM-9A MOLD CLAMP**

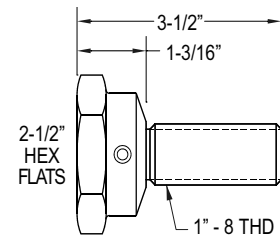


PART NO.	DESCRIPTION	QUANTITY PRICING		
		1-8	9-23	24+
FCM-9A	9-1/2" Forged Mold Clamp	\$44.75	\$42.45	\$40.35
G8114760	1 1/4"-7 Grade 8 Bolt	9.87	9.87	9.46
AB-2	1"-8 Adjustment Bolt	7.30	6.95	6.60
SAB1	1"-8 Swivel Bolt	9.75	9.25	8.80
W-7A	Washer 1-5/16" ID	5.35	5.15	4.95
FW-7A	No-Turn Washer 1-5/16" ID	6.00	5.70	5.40

**AB-2  
ADJUSTMENT BOLT**



**SAB1 SWIVEL  
ADJUSTMENT BOLT**



## PLASTIC PROCESS EQUIPMENT, INC.

6385 Montessouri Street, Las Vegas, Nevada 89113  
702-433-6385 • 800-258-8877 • Fax: 702-433-6388

11218 Challenger Avenue, Odessa, Florida 33556  
727-834-8888 • 800-282-6783 • Fax: 727-834-8873

www.ppe.com • e-mail: sales@ppe.com

8303 CORPORATE PARK DRIVE, MACEDONIA (Cleveland), OHIO 44056, USA

216-367-7000 • Toll Free: 800-321-0562 • Fax: 216-367-7022 • Order Fax: 800-223-8305

Toll Free: USA, Canada & Mexico  
**800-362-0706**