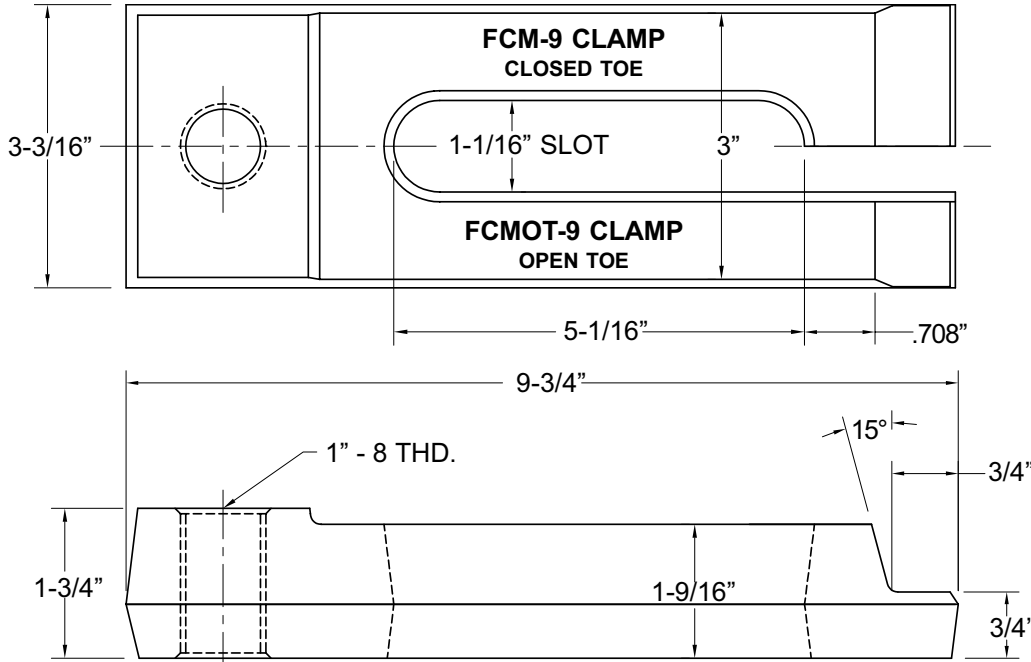




9-1/2" HEAVY DUTY FORGED MOLD CLAMPS

FOR 1"-8 THD. PLATEN HOLES
FORGED & HEAT TREATED



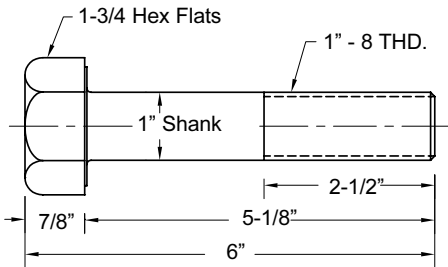
FCMOT-9 & FCM-9 MOLD CLAMPS

FOR
3/4 -10 & 1" - 8
PLATEN
HOLES

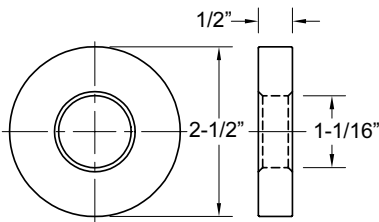
OPEN AND
CLOSED TOE
AVAILABLE

APPROX.
CLAMP
WEIGHT
11 LBS. 0 OZ.

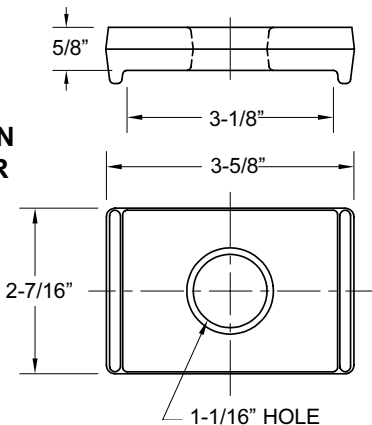
**MODEL
B-18XL
BOLT**



**MODEL
W-7
WASHER**

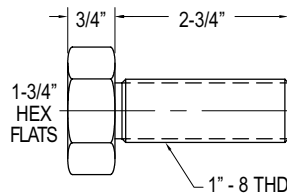


**MODEL
FW-7
NO-TURN
WASHER**

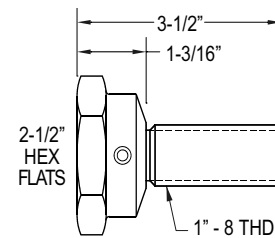


PART NO.	DESCRIPTION	QUANTITY PRICING		
		1-8	9-23	24+
FCMOT-9	9-1/2" Open Toe Mold Clamp	\$39.45	\$37.60	\$35.90
FCM-9	9-1/2" Closed Toe Mold Clamp	40.90	38.75	36.85
B-18XL	1"-8 Heavy Duty Bolt	14.10	13.75	13.30
G8010850	1"-8 Grade 8 Bolt	4.23	4.23	4.05
AB-2	1"-8 Adjustment Bolt	7.30	6.95	6.60
SAB1	1"-8 Swivel Bolt	9.75	9.25	8.80
W-7	Washer 1-1/16" ID	5.10	4.90	4.70
FW-7	No-Turn Washer 1-1/16" ID	6.00	5.70	5.40

**AB-2
ADJUSTMENT BOLT**



**SAB1 SWIVEL
ADJUSTMENT BOLT**



PLASTIC PROCESS EQUIPMENT, INC.

6385 Montessouri Street, Las Vegas, Nevada 89113
PPE WEST 702-433-6385 • 800-258-8877 • Fax: 702-433-6388

11218 Challenger Avenue, Odessa, Florida 33556
PPE SOUTH 727-834-8888 • 800-282-6783 • Fax: 727-834-8873

www.ppe.com • e-mail: sales@ppe.com

8303 CORPORATE PARK DRIVE, MACEDONIA (Cleveland), OHIO 44056, USA

216-367-7000 • Toll Free: 800-321-0562 • Fax: 216-367-7022 • Order Fax: 800-223-8305

Toll Free: USA, Canada & Mexico
800-362-0706