

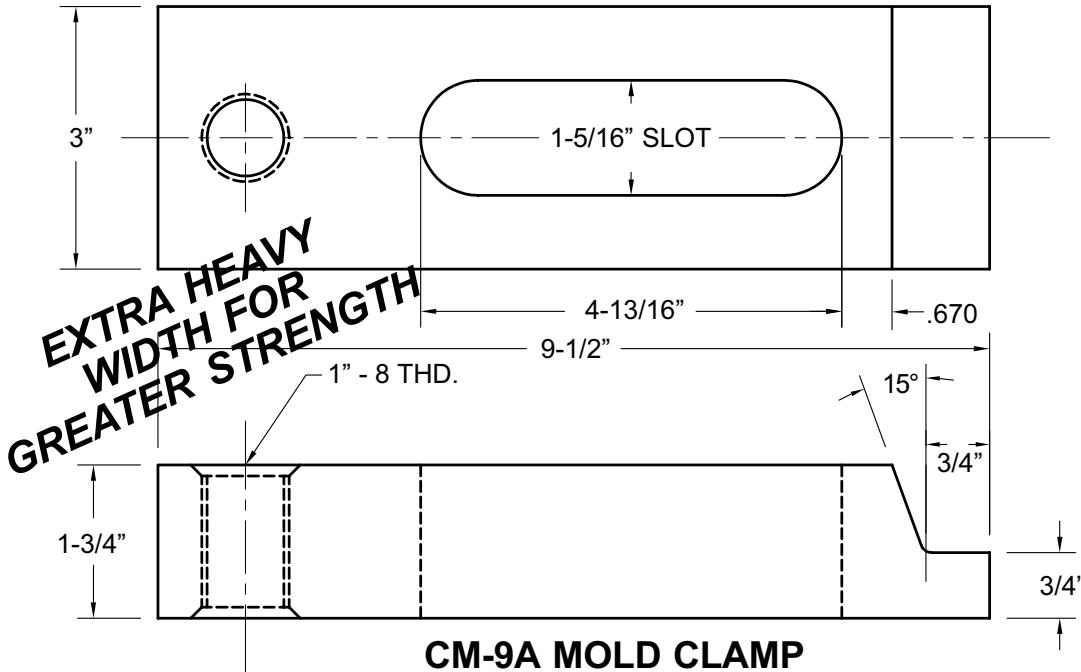


9-1/2" HEAVY DUTY MACHINED

MOLD CLAMPS

TOOL STEEL-HEAT TREATED FOR GREATER STRENGTH

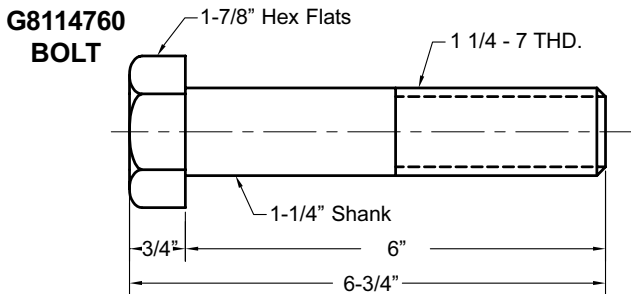
- ADJUSTABLE HEIGHT - 1-5/16" SLOT WIDTH



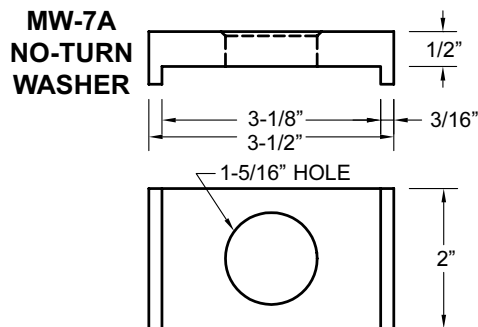
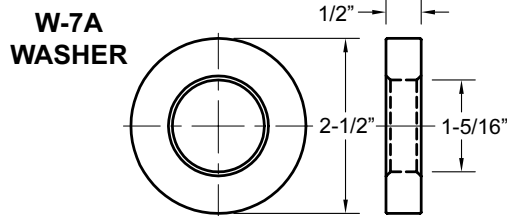
FOR
1 1/4 - 7
PLATEN
HOLES

CLOSED TOE
FOR
MORE STRENGTH

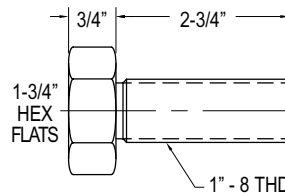
CLAMP
WEIGHT
9 LBS. 12 OZ.



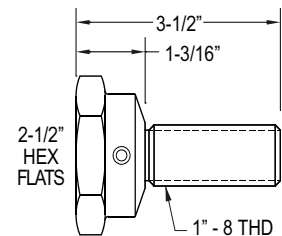
PART NO.	DESCRIPTION	QUANTITY PRICING		
		1-8	9-23	24+
CM-9A	9-1/2" MACHINED MOLD CLAMP	\$54.50	\$51.75	\$49.50
G8114760	1 1/4"-7 GRADE 8 BOLT	9.87	9.87	9.46
AB-2	1"-8 HEIGHT ADJUSTMENT BOLT	7.30	6.95	6.60
SAB1	1"-8 SWIVEL HEIGHT ADJUSTMENT BOLT	9.75	9.25	8.80
W-7A	WASHER 1-5/16" I.D.	5.35	5.15	4.95
MW-7A	MACHINED NO-TURN WASHER 1-5/16" I.D.	7.75	7.55	7.20



AB-2 ADJUSTMENT BOLT



SAB1 SWIVEL ADJUSTMENT BOLT



PLASTIC PROCESS EQUIPMENT, INC.

www.ppe.com • e-mail: sales@ppe.com

6385 Montessouri Street, Las Vegas, Nevada 89113
702-433-6385 • 800-258-8877 • Fax: 702-433-6388

11218 Challenger Avenue, Odessa, Florida 33556
727-834-8888 • 800-282-6783 • Fax: 727-834-8873

8303 CORPORATE PARK DRIVE, MACEDONIA (Cleveland), OHIO 44056, USA

Toll Free: USA, Canada & Mexico
800-362-0706

216-367-7000 • Toll Free: 800-321-0562 • Fax: 216-367-7022 • Order Fax: 800-223-8305