

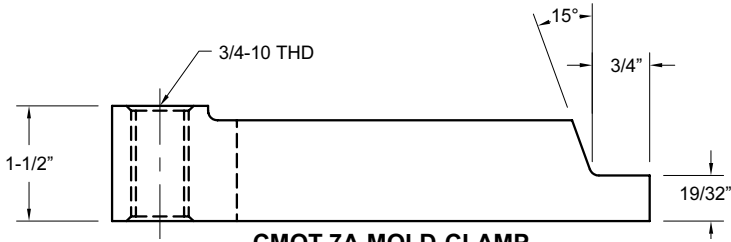
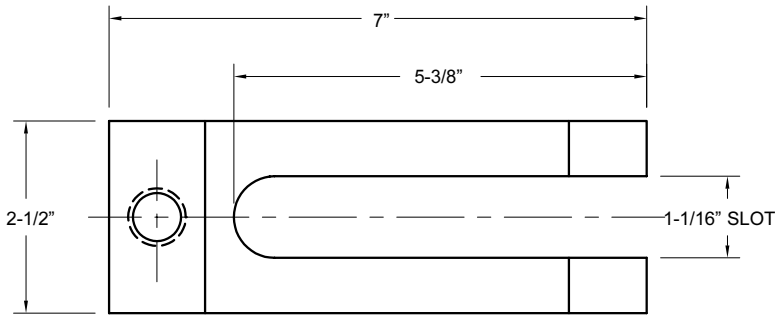


# 7" HEAVY DUTY MACHINED

## FOR 1"-8 THREAD PLATEN HOLES

### OPEN-TOE

**MOLD  
CLAMPS**

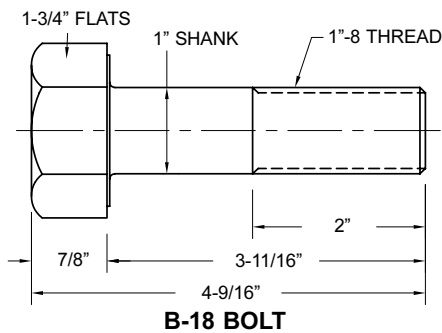


**CMOT-7A MOLD CLAMP**

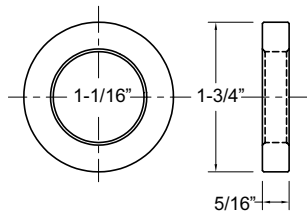
PART NO.	DESCRIPTION	QUANTITY PRICING			
		1-8	9-23	24-99	100+
CMOT-7A	7" MOLD CLAMP	\$26.75	\$25.40	\$24.00	
B-18	1"-8 HEAVY DUTY BOLT	12.00	11.65	11.35	
AB-1	3/4-10 HEIGHT ADJUSTMENT BOLT	4.30	4.10	3.90	
SAB3/4	3/4-10 SWIVEL HEIGHT ADJUSTMENT BOLT	9.90	9.40	8.90	
MW-134	MACHINED NO-TURN WASHER 1-1/16" I.D.	7.00	6.75	6.50	6.30
W-134	WASHER 1-1/16" I.D.	1.66	1.61	1.56	1.52
FW-117	FORGED NO-TURN WASHER 1-1/16" I.D.	5.05	4.80	4.60	4.40

SEE WASHER PAGE FOR SPECS

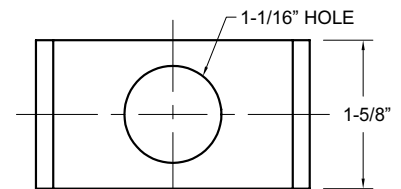
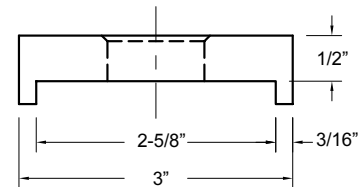
**EXTRA HEAVY  
WIDTH FOR  
GREATER STRENGTH**



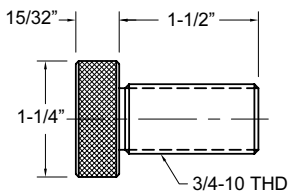
**B-18 BOLT**



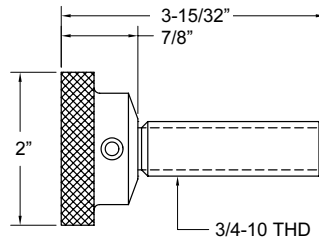
**W-134  
WASHER**



**MW-134  
NO-TURN WASHER**

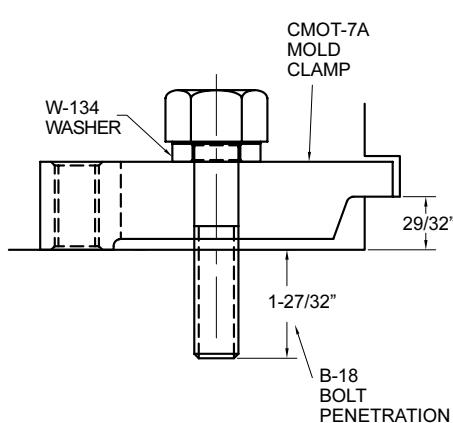


**AB-1 HEIGHT  
ADJUSTMENT BOLT**

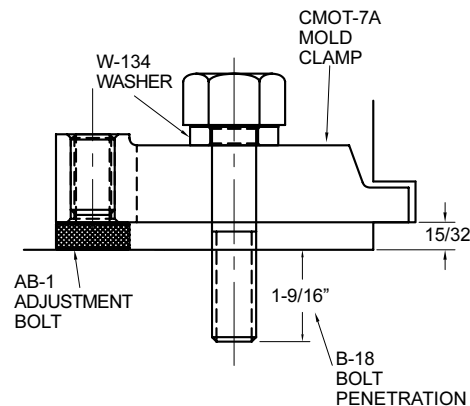


**SAB3/4  
SWIVEL HEIGHT  
ADJUSTMENT BOLT**

**FOR 29/32" MOLD FLANGES**



**FOR 15/32" MOLD FLANGES**



**FOR 1-3/8" MOLD FLANGES**

