

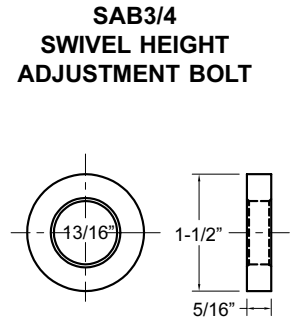
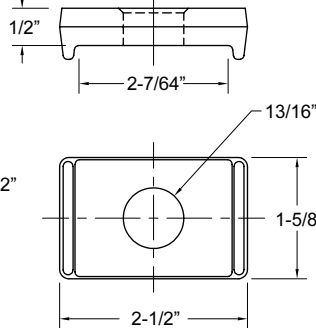
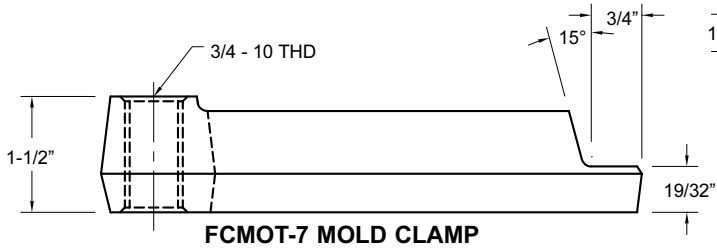
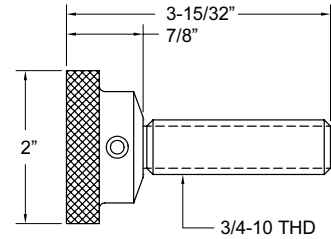
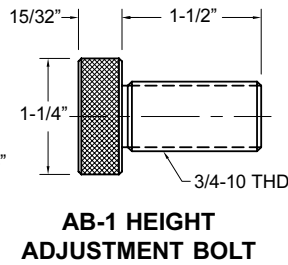
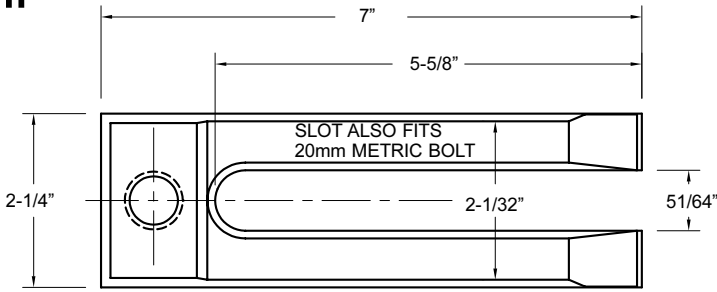


# 7" HEAVY DUTY FORGED

FOR 5/8-11 AND 3/4-10 THD. PLATEN HOLES  
OPEN-TOE

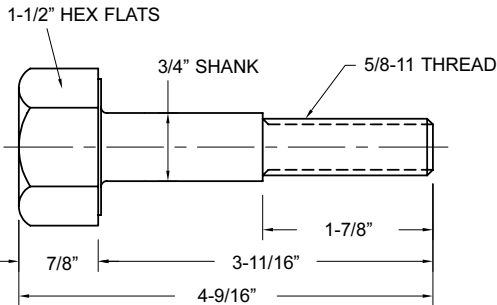
MOLD  
CLAMPS

**IN  
STOCK!**

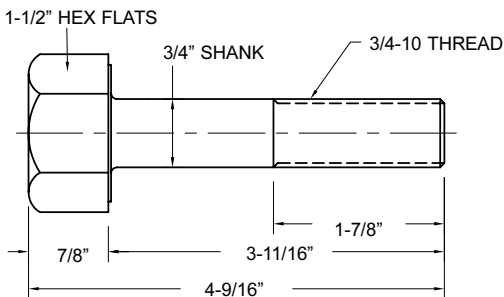


**FW-112  
NO-TURN  
FORGED WASHER**

**W-112 WASHER**



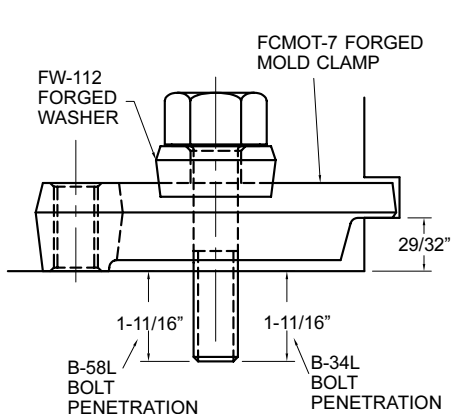
**B-58L BOLT**



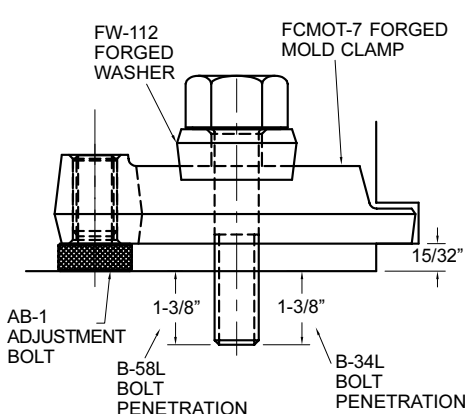
**B-34L BOLT**

PART NO.	DESCRIPTION	QUANTITY PRICING			
		1-8	9-23	24-99	100+
FCMOT-7	7" OPEN-TOE MOLD CLAMP	\$21.90	\$20.90	\$19.95	
B-58L	5/8-11 HEAVY DUTY BOLT	10.50	10.20	9.90	
B-34L	3/4-10 HEAVY DUTY BOLT	9.90	9.65	9.40	
AB-1	3/4-10 HEIGHT ADJUSTMENT BOLT	4.30	4.10	3.90	
SAB3/4	3/4-10 SWIVEL HEIGHT ADJUSTMENT BOLT	9.90	9.40	8.90	
FW-112	FORGED NO-TURN WASHER 13/16" I.D.	3.05	2.95	2.80	2.70
W-112	WASHER 13/16" I.D.	1.13	1.09	1.05	.99

## FOR 29/32" MOLD FLANGES



## FOR 15/32" MOLD FLANGES



## FOR 1-3/8" MOLD FLANGES

