

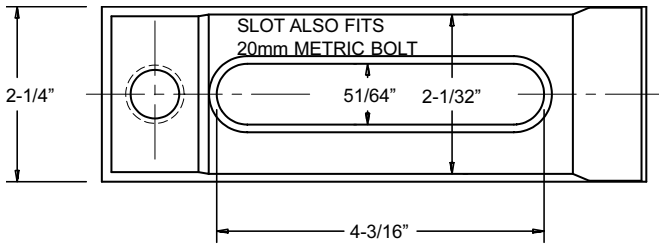


7" HEAVY DUTY FORGED

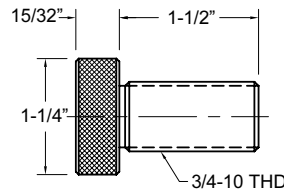
FOR 5/8-11 AND 3/4-10 THD. PLATEN HOLES
CLOSED-TOE

MOLD
CLAMPS

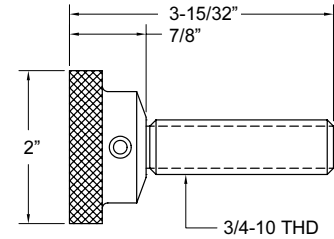
**IN
STOCK!**



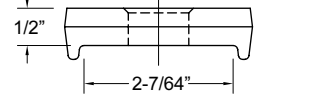
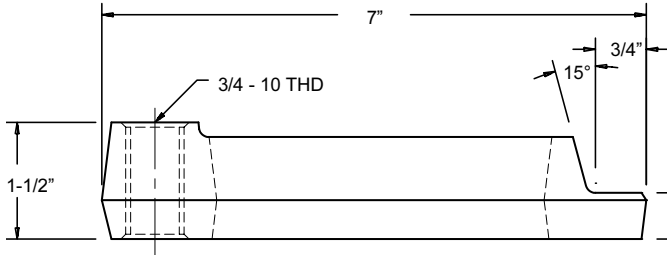
FCM-7 MOLD CLAMP



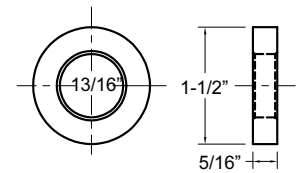
**AB-1 HEIGHT
ADJUSTMENT BOLT**



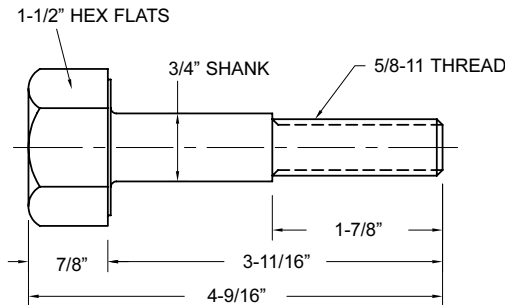
**SAB3/4
SWIVEL HEIGHT
ADJUSTMENT BOLT**



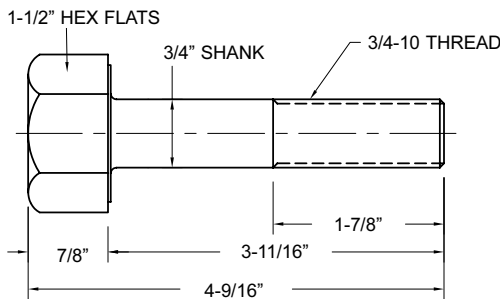
**FW-112
NO-TURN
FORGED WASHER**



W-112 WASHER



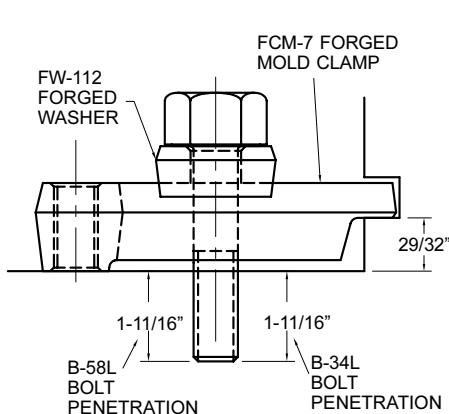
B-58L BOLT



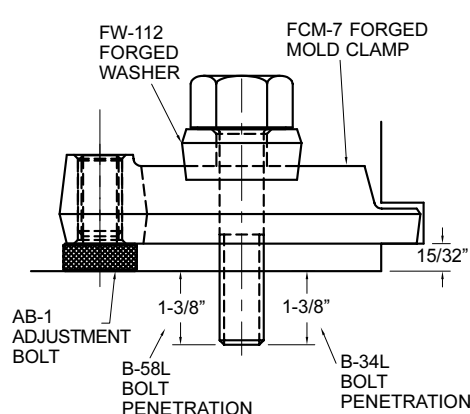
B-34L BOLT

PART NO.	DESCRIPTION	QUANTITY PRICING			
		1-8	9-23	24-99	100+
FCM-7	7" FORGED MOLD CLAMP	\$19.35	\$18.40	\$17.60	
B-58L	5/8-11 HEAVY DUTY BOLT	10.50	10.20	9.90	
B-34L	3/4-10 HEAVY DUTY BOLT	9.90	9.65	9.40	
AB-1	3/4-10 HEIGHT ADJUSTMENT BOLT	4.30	4.10	3.90	
SAB3/4	3/4-10 SWIVEL HEIGHT ADJUSTMENT BOLT	9.90	9.40	8.90	
FW-112	FORGED NO-TURN WASHER 13/16" I.D.	3.05	2.95	2.80	2.70
W-112	WASHER 13/16" I.D.	1.13	1.09	1.05	.99

FOR 29/32" MOLD FLANGES



FOR 15/32" MOLD FLANGES



FOR 1-3/8" MOLD FLANGES

