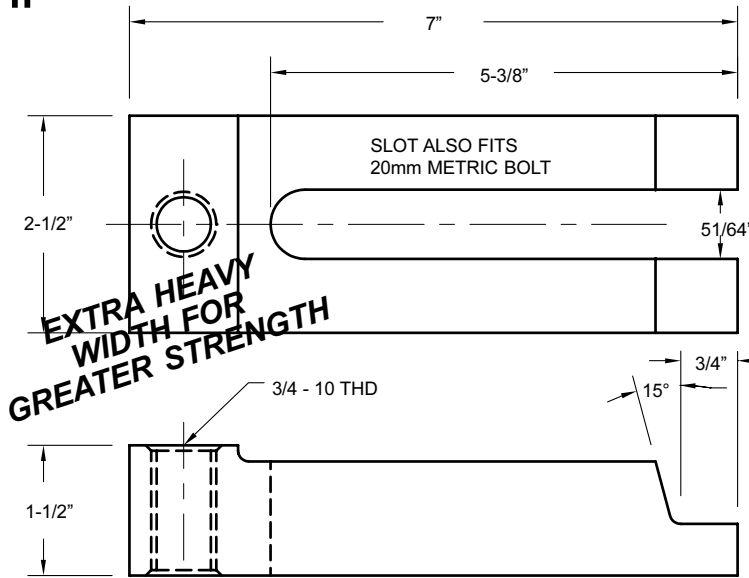




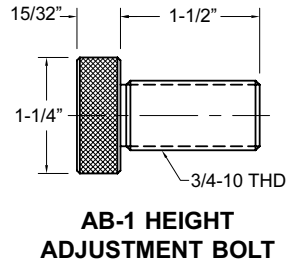
7" HEAVY DUTY MACHINED

MOLD CLAMPS

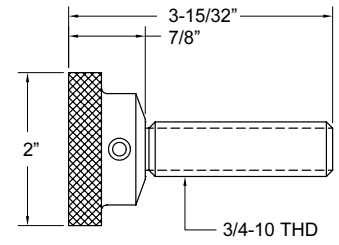
FOR 5/8-11 AND 3/4-10 THD. PLATEN HOLES
OPEN-TOE



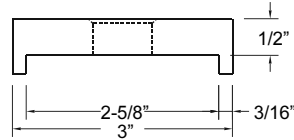
CMOT-7 MOLD CLAMP



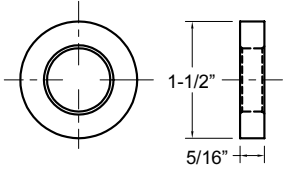
AB-1 HEIGHT ADJUSTMENT BOLT



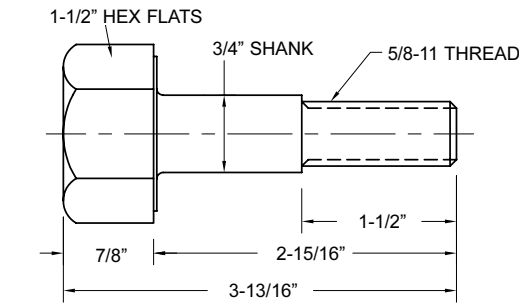
SAB3/4 SWIVEL HEIGHT ADJUSTMENT BOLT



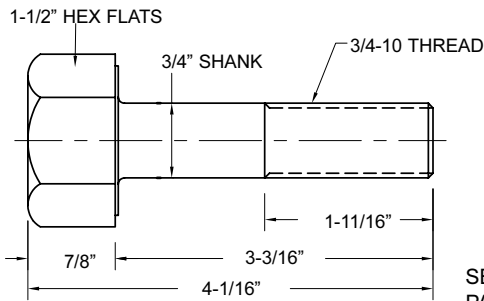
MW-113 11/16" HOLE
MW-114 13/16" HOLE
NO-TURN WASHERS



W-112 WASHER



B-58S BOLT

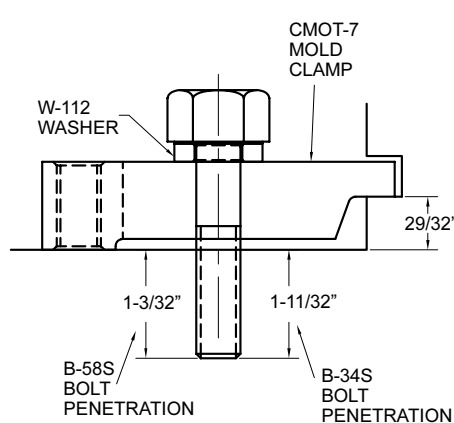


B-34S BOLT

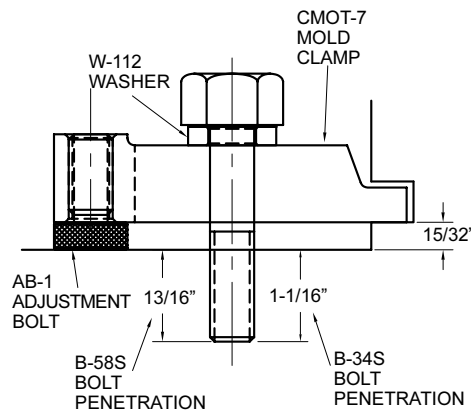
SEE WASHER PAGE FOR SPECS

PART NO.	DESCRIPTION	QUANTITY PRICING			
		1-8	9-23	24-99	100+
CMOT-7	7" OPEN-TOE MOLD CLAMP	\$26.75	\$25.40	\$24.00	
B-58S	5/8-11 HEAVY DUTY BOLT	9.10	8.80	8.50	
B-34S	3/4-10 HEAVY DUTY BOLT	9.10	8.80	8.50	
AB-1	3/4-10 HEIGHT ADJUSTMENT BOLT	4.30	4.10	3.90	
SAB3/4	3/4-10 SWIVEL HEIGHT ADJUSTMENT BOLT	9.90	9.40	8.90	
MW-113	MACHINED NO-TURN WASHER 11/16" I.D.	6.50	6.30	6.05	5.90
MW-114	MACHINED NO-TURN WASHER 13/16" I.D.	6.50	6.30	6.05	5.90
W-112	WASHER 13/16" I.D.	1.13	1.09	1.05	.99
FW-116	FORGED NO-TURN WASHER 11/16" I.D.	5.05	4.80	4.60	4.40
FW-115	FORGED NO-TURN WASHER 13/16" I.D.	5.05	4.80	4.60	4.40

FOR 29/32" MOLD FLANGES



FOR 15/32" MOLD FLANGES



FOR 1-3/8" MOLD FLANGES

