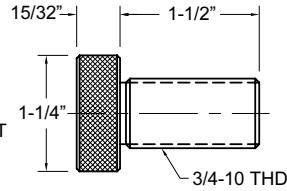
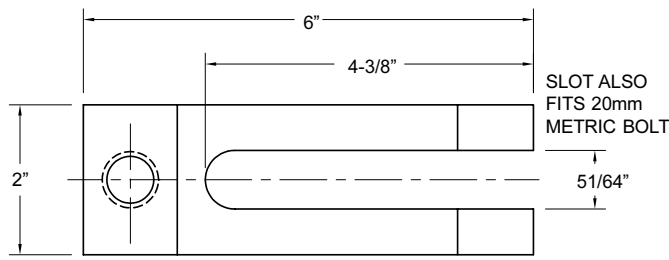




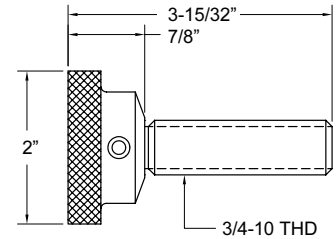
6" HEAVY DUTY MACHINED

MOLD CLAMPS

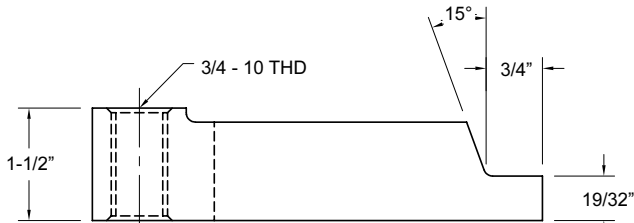
FOR 5/8-11 AND 3/4-10 THD. PLATEN HOLES
OPEN-TOE



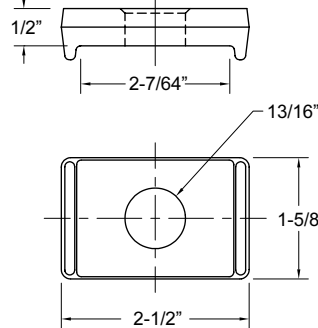
MODEL AB-1 HEIGHT ADJUSTMENT BOLT



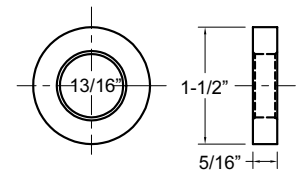
MODEL SAB3/4 SWIVEL HEIGHT ADJUSTMENT BOLT



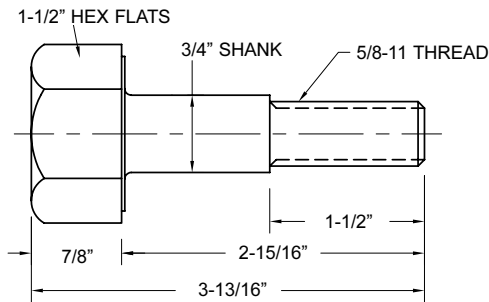
MODEL CMOT-6 MOLD CLAMP



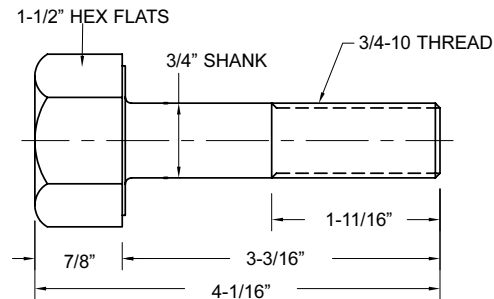
MODEL FW-112 NO-TURN FORGED WASHER



MODEL W-112 WASHER



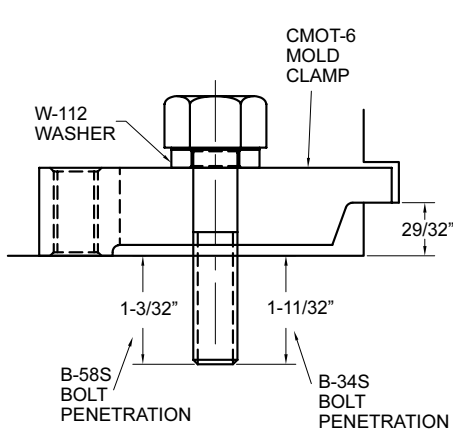
MODEL B-58S BOLT



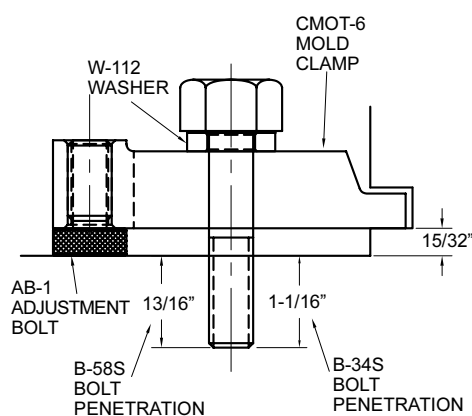
MODEL B-34S BOLT

PART NO.	DESCRIPTION	QUANTITY PRICING			
		1-8	9-23	24-99	100+
CMOT-6	6" OPEN-TOE MOLD CLAMP	\$17.25	\$16.50	\$15.75	
B-58S	5/8-11 HEAVY DUTY BOLT	9.10	8.80	8.50	
B-34S	3/4-10 HEAVY DUTY BOLT	9.10	8.80	8.50	
AB-1	3/4-10 HEIGHT ADJUSTMENT BOLT	4.30	4.10	3.90	
SAB3/4	3/4-10 SWIVEL HEIGHT ADJUSTMENT BOLT	9.90	9.40	8.90	
FW-112	FORGED NO-TURN WASHER 13/16" I.D.	3.05	2.95	2.80	2.70
W-112	WASHER 13/16" I.D.	1.13	1.09	1.05	.99

FOR 29/32" MOLD FLANGES



FOR 15/32" MOLD FLANGES



FOR 1-3/8" MOLD FLANGES

