

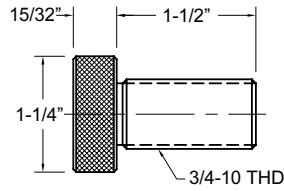
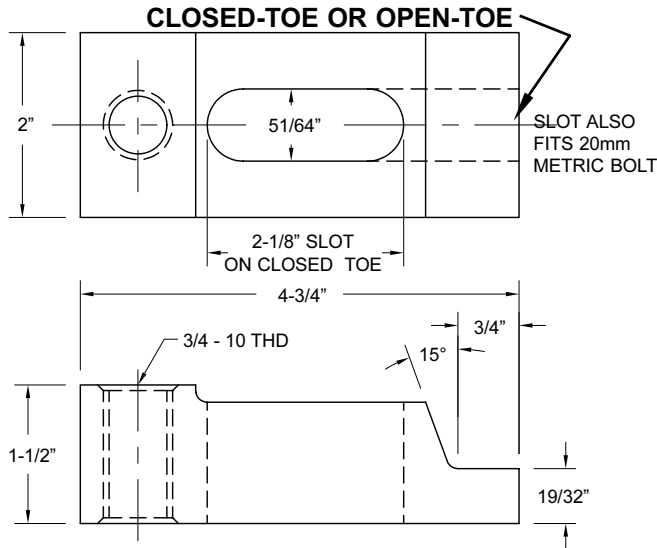


4-3/4" HEAVY DUTY MACHINED

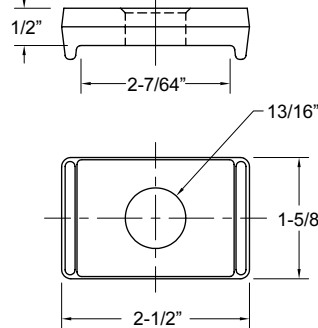
MOLD CLAMPS

FOR 5/8-11 AND 3/4-10 THD. PLATEN HOLES

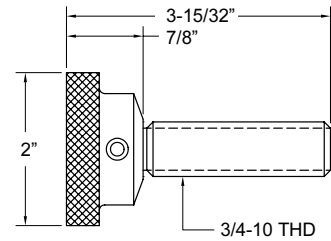
IN STOCK!



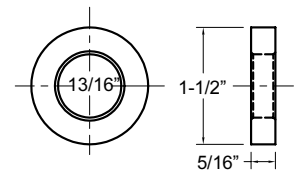
MODEL AB-1 HEIGHT ADJUSTMENT BOLT



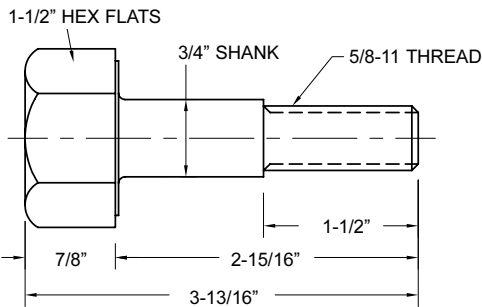
MODEL FW-112 NO-TURN FORGED WASHER



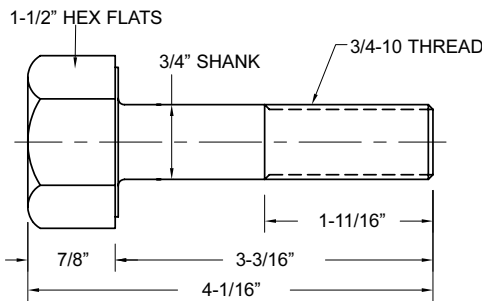
MODEL SAB3/4 SWIVEL HEIGHT ADJUSTMENT BOLT



MODEL W-112 WASHER



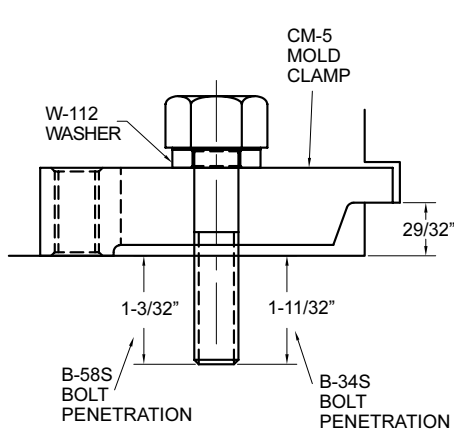
MODEL B-58S BOLT



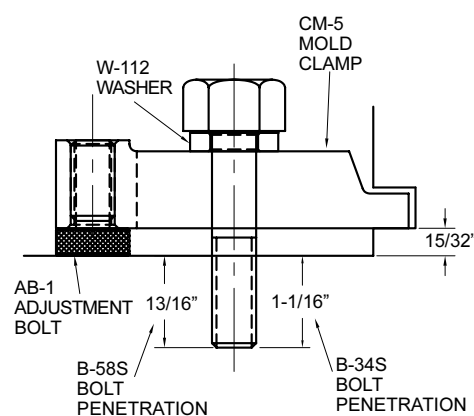
MODEL B-34S BOLT

| PART NO. | DESCRIPTION | QUANTITY PRICING | | | |
|----------|---------------------------------------|------------------|---------|---------|------|
| | | 1-8 | 9-23 | 24-99 | 100+ |
| CM-5 | 4-3/4" MACHINED MOLD CLAMP | \$13.50 | \$12.90 | \$12.50 | |
| CMOT-5 | 4-3/4" OPEN-TOE MOLD CLAMP | 14.75 | 14.00 | 13.25 | |
| B-58S | 5/8-11 HEAVY DUTY BOLT | 9.10 | 8.80 | 8.50 | |
| B-34S | 3/4-10 HEAVY DUTY BOLT | 9.10 | 8.80 | 8.50 | |
| AB-1 | 3/4-10 HEIGHT ADJUSTMENT BOLT | 4.30 | 4.10 | 3.90 | |
| G8341015 | 3/4-10 GRADE 8 HEIGHT ADJUSTMENT BOLT | .86 | .86 | .82 | |
| SAB3/4 | 3/4-10 SWIVEL HEIGHT ADJUSTMENT BOLT | 9.90 | 9.40 | 8.90 | |
| FW-112 | FORGED NO-TURN WASHER 13/16" I.D. | 3.05 | 2.95 | 2.80 | 2.70 |
| W-112 | WASHER 13/16" I.D. | 1.13 | 1.09 | 1.05 | .99 |

FOR 29/32" MOLD FLANGES



FOR 15/32" MOLD FLANGES



FOR 1-3/8" MOLD FLANGES

