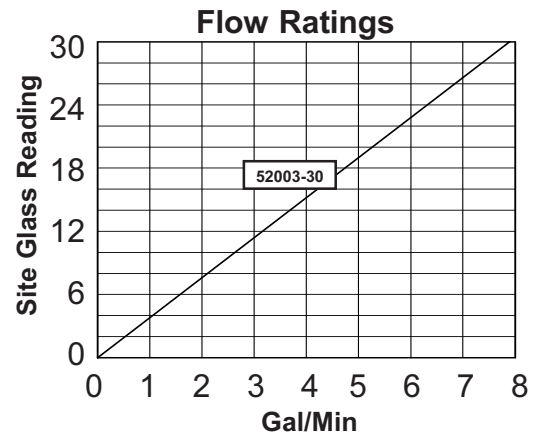
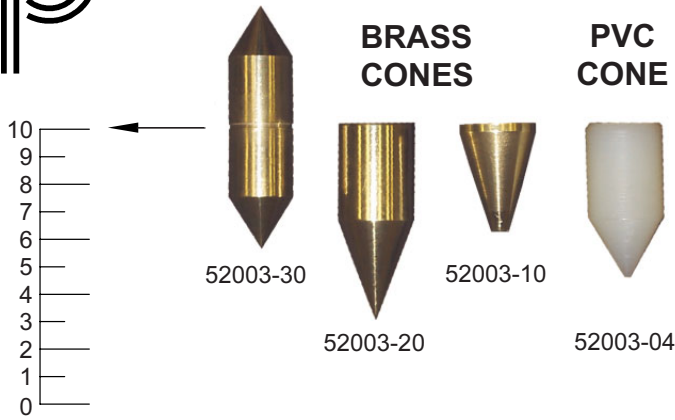




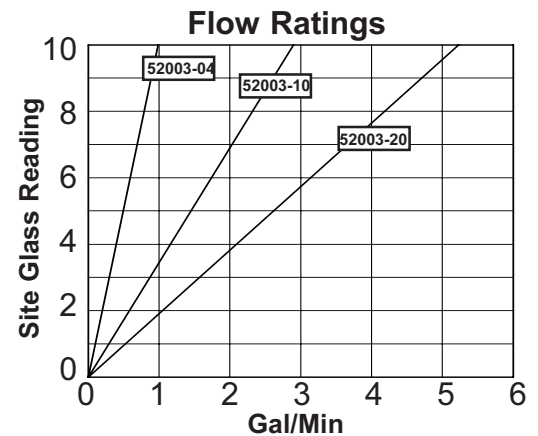
MOLD FLOW REGULATORS



BRASS FLOAT CONES

PART NO.	GALLONS PER MIN.	LITERS PER MIN.	PRICE EACH
52003-04	1.00 G.P.M.	3.78 LITERS	\$2.00
52003-10	2.642 G.P.M.	10 LITERS	\$2.00
52003-20	5.28 G.P.M.	20 LITERS	\$2.50
52003-30	7.92 G.P.M.	30 LITERS	\$2.50

Cleaning Brush #59061 \$3.20 ea.



FLOW TUBES

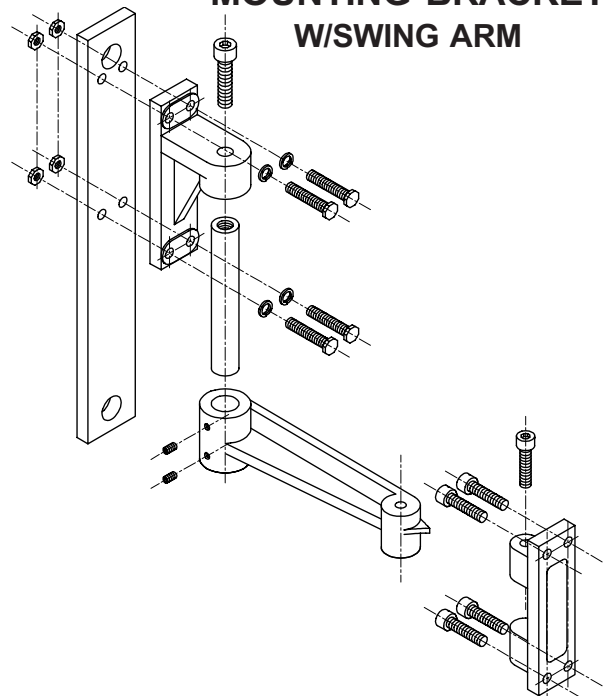
PART NO.	SIZE	TYPE	MATERIAL	PRICE EACH
12003	10 & 20 LITERS	STANDARD 194°F	POLYAMIDE NYLON	\$14.70
12003-30	30 LITERS	STANDARD 194°F	POLYAMIDE NYLON	\$14.70
12103	10 & 20 LITERS	REPLACEMENT 239°F	* POLYSULFONE	\$16.80
12303	30 LITERS	REPLACEMENT 239°F	* POLYSULFONE	\$16.80

* Must be purchased separately.

MOUNTING BRACKET KITS

PART NO.	SIZE	PRICE EACH
FSML9	2 TO 8 ZONE	\$68.00
FSML9L	10 AND 12 ZONE	\$74.00

MOUNTING BRACKET W/SWING ARM



PLASTIC PROCESS EQUIPMENT, INC.

8303 CORPORATE PARK DRIVE
MACEDONIA, OHIO 44056
216-367-7000 • FAX: 216-367-7022
TOLL FREE: 800-321-0562

6385 MONTESSOURI STREET
LAS VEGAS, NEVADA 89113
702-433-6385 • FAX: 702-433-6388
TOLL FREE: 800-258-8877

www.ppe.com
e-mail: sales@ppe.com

Toll Free: USA, Canada & Mexico
800-362-0706

Order Fax: 800-223-8305