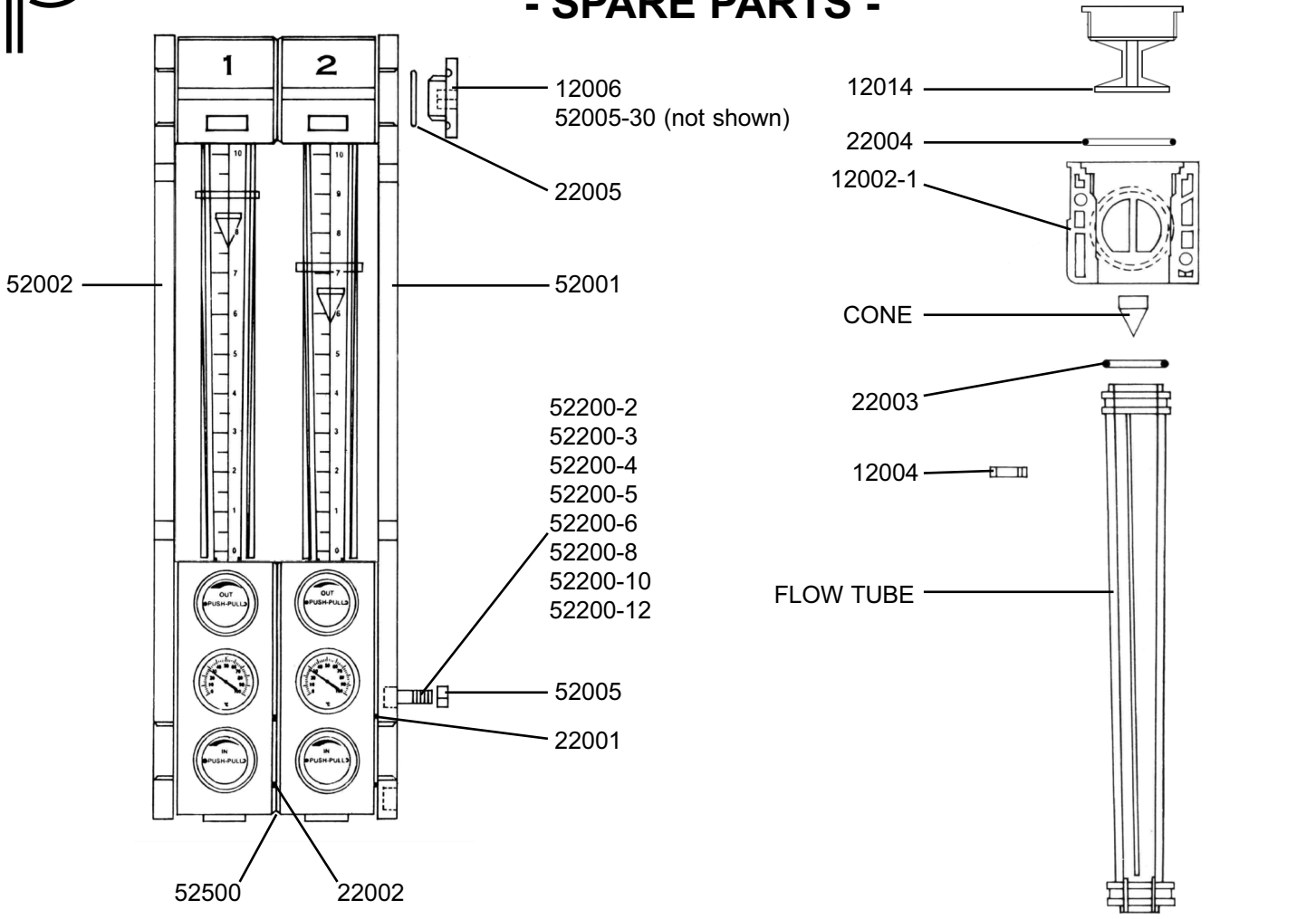


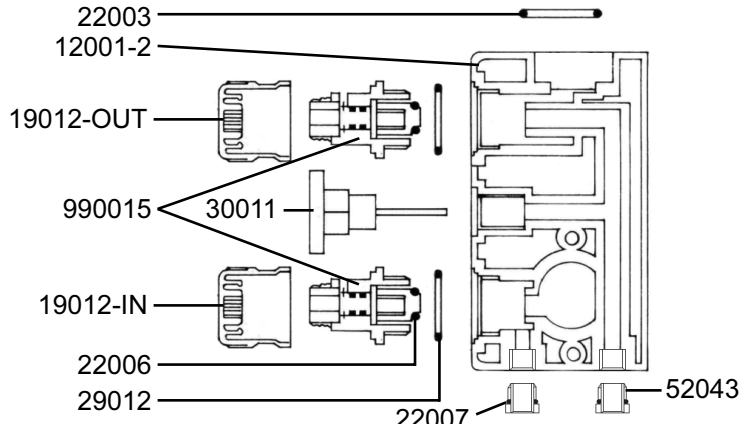


MOLD FLOW REGULATORS

- SPARE PARTS -



PART NO.	DESCRIPTION	PRICE
12001-2	LOWER HOUSING	\$10.00
12002-1	UPPER HOUSING	\$6.00
12004	REFERENCE RING	\$.20
12005	FIXED RING	\$.60
12006	PLUG, 3/4" NPT	\$.60
52005-30	COUPLER, 1-1/4" NPT	\$1.50
19012-OUT	CONTROL VALVE CAP (OUT)	\$.60
19012-IN	CONTROL VALVE CAP (IN)	\$.60
990015	CONTROL VALVE	\$5.00
30011	THERMOMETER	\$18.00
52001	RIGHT SIDE PLATE	\$16.00
52002	LEFT SIDE PLATE	\$16.00
52500	SPACER PLATE	\$8.50
52200-2	THREADED ROD, for FSML-200	\$.80
52200-3	THREADED ROD, for FSML-300	\$.80
52200-4	THREADED ROD, for FSML-400	\$1.00
52200-5	THREADED ROD, for FSML-500	\$1.00
52200-6	THREADED ROD, for FSML-600	\$1.20
52200-8	THREADED ROD, for FSML-800	\$1.20
52200-10	THREADED ROD, for FSML-1000	\$1.60
52200-12	THREADED ROD, for FSML-1200	\$1.60
52043	1/2" X 3/8" NPT COUPLE	\$1.00
12014	PLUG	\$2.50



PART NO.	DESCRIPTION	PRICE
22001	O-RING	\$3.00
22002	O-RING	\$6.00
22003	O-RING	\$3.00
22004	O-RING	\$6.00
22005	O-RING	\$2.60
29012	O-RING	\$2.60
22006	O-RING	\$1.00
22007	O-RING	\$.50



PLASTIC PROCESS EQUIPMENT, INC.

6385 Montessouri Street, Las Vegas, Nevada 89113
 PPE WEST 702-433-6385 • 800-258-8877 • Fax: 702-433-6388

11218 Challenger Avenue, Odessa, Florida 33556
 PPE SOUTH 727-834-8888 • 800-282-6783 • Fax: 727-834-8873

8303 CORPORATE PARK DRIVE, MACEDONIA (Cleveland), OHIO 44056, USA

Toll Free: USA, Canada & Mexico
800-362-0706

PPE 216-367-7000 • Toll Free: 800-321-0562 • Fax: 216-367-7022 • Order Fax: 800-223-8305