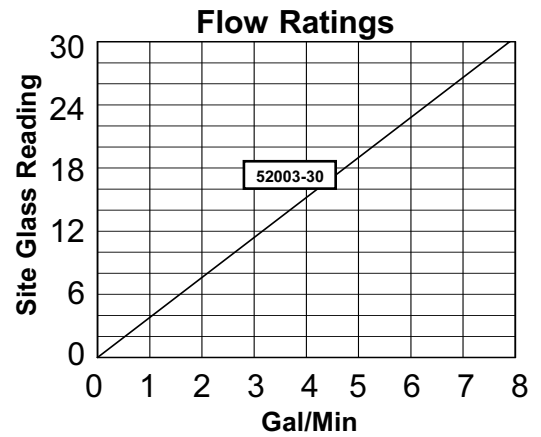
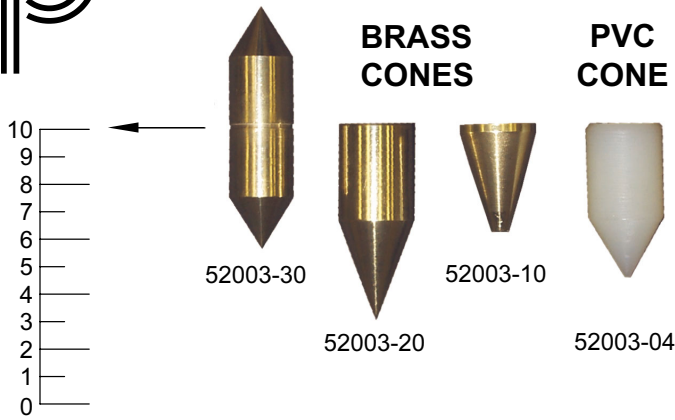




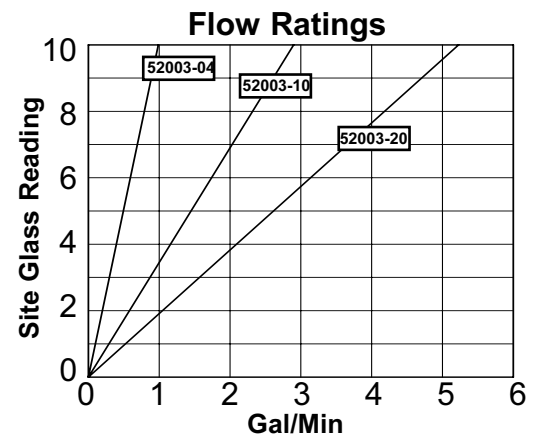
# MOLD FLOW REGULATORS



## BRASS FLOAT CONES

PART NO.	GALLONS PER MIN.	LITERS PER MIN.	PRICE EACH
52003-04	1.00 G.P.M.	3.78 LITERS	\$1.00
52003-10	2.642 G.P.M.	10 LITERS	\$1.00
52003-20	5.28 G.P.M.	20 LITERS	\$1.00
52003-30	7.92 G.P.M.	30 LITERS	\$1.50

Cleaning Brush #59061 ..... \$3.00 ea.



## FLOW TUBES

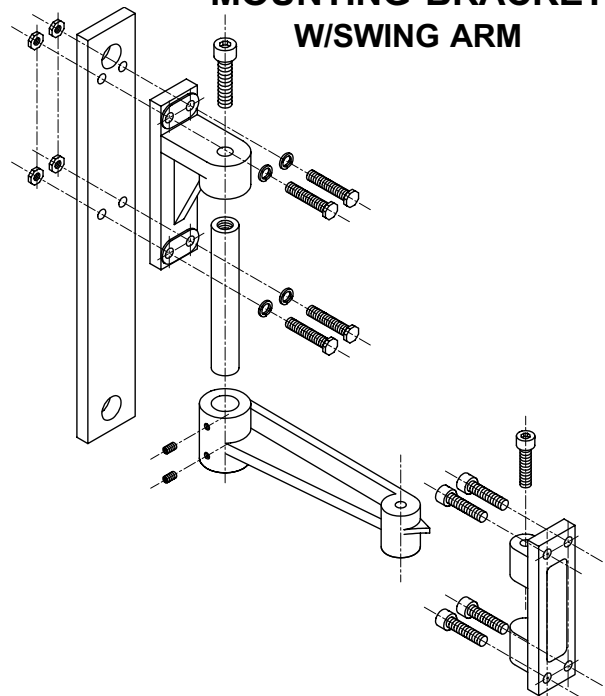
PART NO.	SIZE	TYPE	MATERIAL	PRICE EACH
12003	10 & 20 LITERS	STANDARD 194°F	POLYAMIDE NYLON	\$9.95
12003-30	30 LITERS	STANDARD 194°F	POLYAMIDE NYLON	\$9.95
12103	10 & 20 LITERS	REPLACEMENT 239°F	* POLYSULFONE	\$13.70
12303	30 LITERS	REPLACEMENT 239°F	* POLYSULFONE	\$13.70

\* Must be purchased separately.

## MOUNTING BRACKET KITS

PART NO.	SIZE	PRICE EACH
FSML9	2 TO 8 ZONE	\$48.00
FSML9L	10 AND 12 ZONE	\$54.00

## MOUNTING BRACKET W/SWING ARM



**PLASTIC PROCESS EQUIPMENT, INC.**

www.ppe.com • e-mail: sales@ppe.com

**PPE WEST** 6385 Montessouri Street, Las Vegas, Nevada 89113  
702-433-6385 • 800-258-8877 • Fax: 702-433-6388

**PPE SOUTH** 11218 Challenger Avenue, Odessa, Florida 33556  
727-834-8888 • 800-282-6783 • Fax: 727-834-8873

8303 CORPORATE PARK DRIVE, MACEDONIA (Cleveland), OHIO 44056, USA

Toll Free: USA, Canada & Mexico  
**800-362-0706**

216-367-7000 • Toll Free: 800-321-0562 • Fax: 216-367-7022 • Order Fax: 800-223-8305