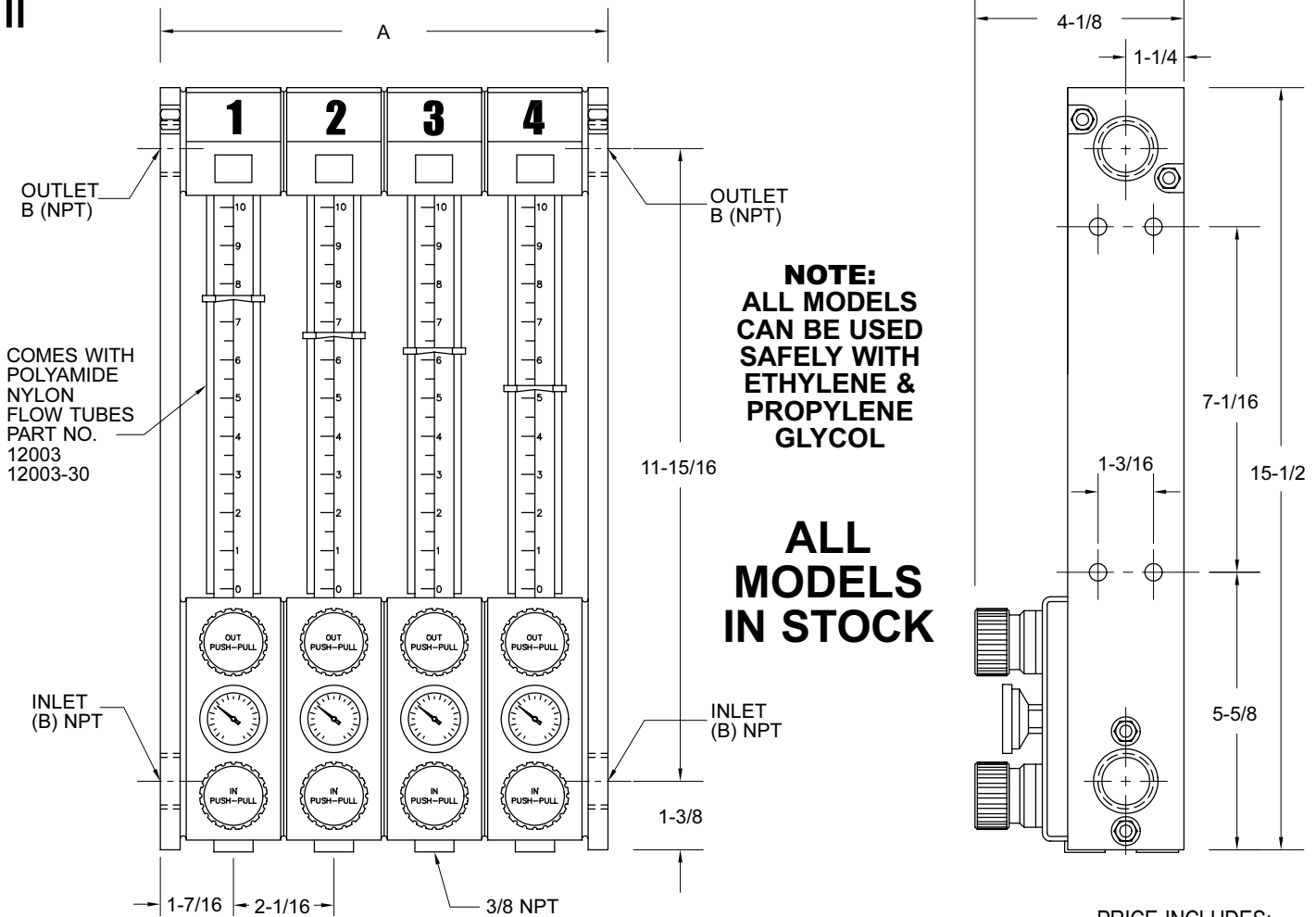




MOLD FLOW REGULATORS

- DIMENSIONS -

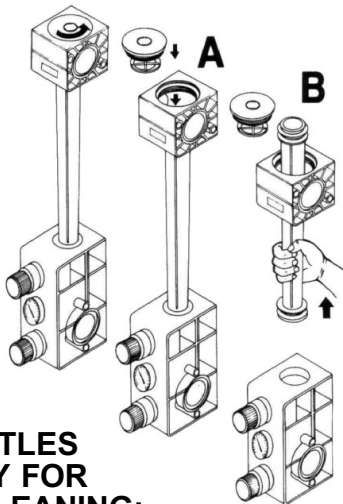


NOTE:
ALL MODELS
CAN BE USED
SAFELY WITH
ETHYLENE &
PROPYLENE
GLYCOL

**ALL
MODELS
IN STOCK**

PRICE INCLUDES:
CLEANING BRUSH, ONE PUSH
TO LOCK FLOW VALVE WITH
SPARE O-RINGS.

*2.642 G.P.M. / 10 Liter (comes as standard)
1.00 G.P.M. / 3.78 Liter (requires 52003-04 float cone)
5.28 G.P.M. / 20 Liter (requires 52003-20 float cone)



DISMANTLES QUICKLY FOR EASY CLEANING:

- A) Open plug on top of upper body and clean Flow Tube with brush. (OR)
- B) Remove Flow Tube by sliding it upwards and clean it away from Flow Regulator.

NUMBER OF ZONES	(A) WIDTH O.A. IN.	INLET/OUTLET (B) NPT	* MODEL NO.	PRICES
2	4.881	3/4"	FSML200M	\$129.00
3	6.934	3/4"	FSML300M	200.00
4	8.976	3/4"	FSML400M	235.00
5	11.071	3/4"	FSML500M	310.00
6	13.159	3/4"	FSML600M	355.00
8	17.257	3/4"	FSML800M	460.00
10	21.473	1-1/4"	FSML1000M	590.00
12	25.570	1-1/4"	FSML1200M	690.00

8 G.P.M./30 LITER MODELS

2	4.881	1-1/4"	FSML200M30	\$170.00
3	6.934	1-1/4"	FSML300M30	235.00
4	8.976	1-1/4"	FSML400M30	305.00
5	11.071	1-1/4"	FSML500M30	370.00
6	13.159	1-1/4"	FSML600M30	435.00
8	17.257	1-1/4"	FSML800M30	555.00
10	21.473	1-1/4"	FSML1000M30	705.00
12	25.570	1-1/4"	FSML1200M30	835.00



PLASTIC PROCESS EQUIPMENT, INC.

6385 Montessouri Street, Las Vegas, Nevada 89113
702-433-6385 • 800-258-8877 • Fax: 702-433-6388

11218 Challenger Avenue, Odessa, Florida 33556
727-834-8888 • 800-282-6783 • Fax: 727-834-8873

www.ppe.com • e-mail: sales@ppe.com

8303 CORPORATE PARK DRIVE, MACEDONIA (Cleveland), OHIO 44056, USA

216-367-7000 • Toll Free: 800-321-0562 • Fax: 216-367-7022 • Order Fax: 800-223-8305

Toll Free: USA, Canada & Mexico
800-362-0706