



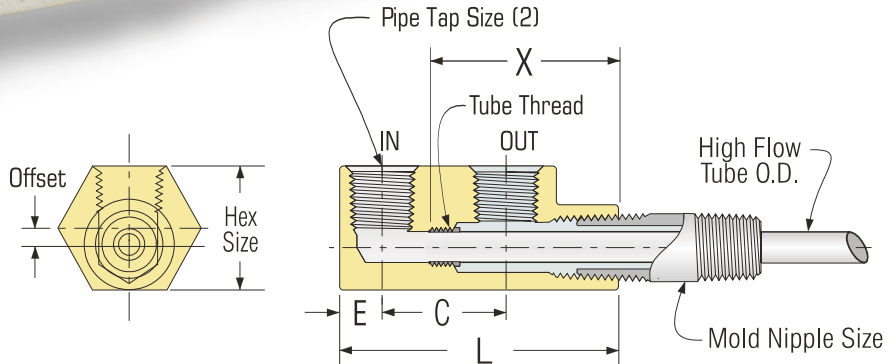
High Flow Hex Head Cascade Assemblies

**INCREASES FLOW
35 TO 65%**

Increased inlet areas produce higher flow rates.



If cooling rates are limiting cycle times, or connection leakage is a problem, the High Flow Cascade is your answer.

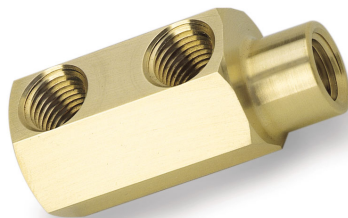


- 35%–65% higher flow rates than standard Nipple Type Cascades.
- Offset design provides more sealing threads without pipe interference.
- Assemblies include brass head, 12" High Flow Stainless tube, and 2" long galvanized pipe nipple.

Part Number	Mold Nipple Size (NPT)	Pipe Tap Size (NPT)	Tube Thread Size	High Flow Tube O.D. (12" LG.)	Hex Size	Offset	"E"	"C"	"L"	Tube End Ref. "X"	Price
HF16N	1/16	1/16	10-32	1/8	5/8	3/32	1/4	1/2	1-1/4	.88	\$13.20
HF186N	1/8	1/8	1/4-28	3/16	3/4	3/32	5/16	11/16	1-5/8	1.14	12.75
HF181N	1/8	1/8	1/4-28	3/16	3/4	3/32	5/16	1	1-15/16	1.15	12.95
HF146N-4	1/4	1/4	5/16-24	1/4	1	5/32	11/32	11/16	1-7/8	1.30	13.50
HF141N-4	1/4	1/4	5/16-24	1/4	1	5/32	11/32	1	2-3/16	1.55	13.70
HF381N-4	3/8	1/4	7/16-20	3/8	1-1/8	1/8	11/32	1	2-1/4	1.64	14.75

High Flow Cascade Heads Only

- All dimensions same as above for corresponding catalog number.
- High Flow Cascade Heads are available in special pipe tap & tube combinations.
- Order Adjustable Hex Nipples, or other pipe nipples listed beyond.
- Order High Flow Tubes below.



Part Number	Tube Thread Size	Uses one of these tubes		Price
		Standard High Flow Tube No.	Alt. Tube No. for smaller dia. holes	
HF16H	10-32	HF125T-	JHF093T-	\$6.25
HF186H	1/4-28	HF187T-	JHF125T-	\$6.70
HF181H	1/4-28	HF187T-	JHF125T-	\$6.90
HF146H-4	5/16-24	HF250T-	JHF187T-	\$7.20
HF141H-4	5/16-24	HF250T-	JHF187T-	\$7.45
HF381H-4	7/16-20	HF375T-	JHF312T-	\$7.65

High Flow Stainless Tubes

Special thin wall stainless tube for maximum flow and quicker cycles.



Increase Flow up to 300% !!

- All stainless construction for high strength and durability
- Cut to exact lengths at no charge.
- These tubes are also available with pipe threads. (See piston tubes)
- Available in 2 different tube O.D.s to accommodate different hole diameters.

Tube O.D.	Tube I.D.	Thread Size	Thread Length	Overall Length "L"							
				12"		18"		24"		36"	
				Part No.	Price	Part No.	Price	Part No.	Price	Part No.	Price
.093	.077	5-44	1/8	HF093T-12	\$5.30	HF093T-18	\$6.00	HF093T-24	\$6.65	HF093T-36	\$7.40
.125	.109	10-32	3/16	HF125T-12	4.65	HF125T-18	5.35	HF125T-24	6.05	HF125T-36	6.75
.187	.167	1/4-28	1/4	HF187T-12	4.80	HF187T-18	5.55	HF187T-24	6.25	HF187T-36	6.95
.250	.230	5/16-24	5/16	HF250T-12	5.05	HF250T-18	5.80	HF250T-24	6.50	HF250T-36	7.20
.312	.285	3/8-24	3/8	HF312T-12	5.50	HF312T-18	6.20	HF312T-24	6.90	HF312T-36	7.60
.375	.345	7/16-20	7/16	HF375T-12	5.75	HF375T-18	6.50	HF375T-24	7.15	HF375T-36	7.90
.437	.407	1/2-20	1/2	HF437T-12	7.05	HF437T-18	7.80	HF437T-24	8.50	HF437T-36	9.15



PLASTIC PROCESS EQUIPMENT, INC.

www.ppe.com • e-mail: sales@ppe.com

6385 Montessouri Street, Las Vegas, Nevada 89113
702-433-6385 • 800-258-8877 • Fax: 702-433-6388

11218 Challenger Avenue, Odessa, Florida 33556
727-834-8888 • 800-282-6783 • Fax: 727-834-8873

8303 CORPORATE PARK DRIVE, MACEDONIA (Cleveland), OHIO 44056, USA

Toll Free: USA, Canada & Mexico
800-362-0706

216-367-7000 • Toll Free: 800-321-0562 • Fax: 216-367-7022 • Order Fax: 800-223-8305