



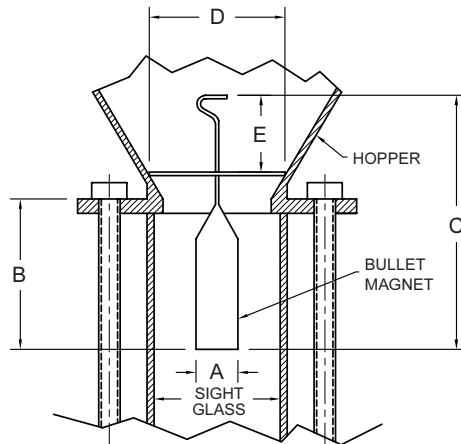
# BULLET MAGNETS

## SUPER POWER - RARE EARTH MAGNETS FOR JUST-IN-TIME LOADERS



### 5 MODELS

The PPE Bullet Magnets are Super Power Rare Earth (Neodymium-Iron-Boron) Cartridges welded to a stainless steel wire ring. They are designed to be suspended in the center of the sight glass tube of your hopper loader to catch and hold tramp ferrous metals. This position allows you to inspect the magnet for metal build-up. The magnet will not interfere with your proximity level control switch. The stainless ring can be bent to suit your required diameter for the correct suspension height.



### FEATURES & BENEFITS

- Longer lengths for more magnetic surface area.
- Two magnet diameters, 1 inch & 5/8 inch.
- Five sizes to fit most sight glass throats.
- Sealed welded construction.
- Super power rare earth magnet.

Ring can be expanded or contracted to vary mounting elevation.



Model 200115  
Fits PPE  
Venturi Loader

**THE BETTER  
BULLET  
MAGNETS**



PART NO.	DIMENSIONS					PRICE EACH
	"A" DIA.	"B" LENGTH	"C" O.A.	"D" RING	"E"	
200115	1"	3"	9-1/2"	4-3/8"	---	\$120.00
200116	1"	4-1/2"	8"	2-1/2"	3"	\$125.00
200117	1"	4-1/2"	8"	1-3/4"	3"	\$125.00
200118	5/8"	2-7/8"	6-1/8"	1-3/4"	2-3/4"	\$78.00
200119	5/8"	2-7/8"	6-1/8"	2-1/2"	2-3/4"	\$78.00



## PLASTIC PROCESS EQUIPMENT, INC.

www.ppe.com • e-mail: sales@ppe.com

**PPE WEST** 6385 Montessouri Street, Las Vegas, Nevada 89113  
702-433-6385 • 800-258-8877 • Fax: 702-433-6388

**PPE SOUTH** 11218 Challenger Avenue, Odessa, Florida 33556  
727-834-8888 • 800-282-6783 • Fax: 727-834-8873

8303 CORPORATE PARK DRIVE, MACEDONIA (Cleveland), OHIO 44056, USA

216-367-7000 • Toll Free: 800-321-0562 • Fax: 216-367-7022 • Order Fax: 800-223-8305

Toll Free: USA, Canada & Mexico  
**800-362-0706**