



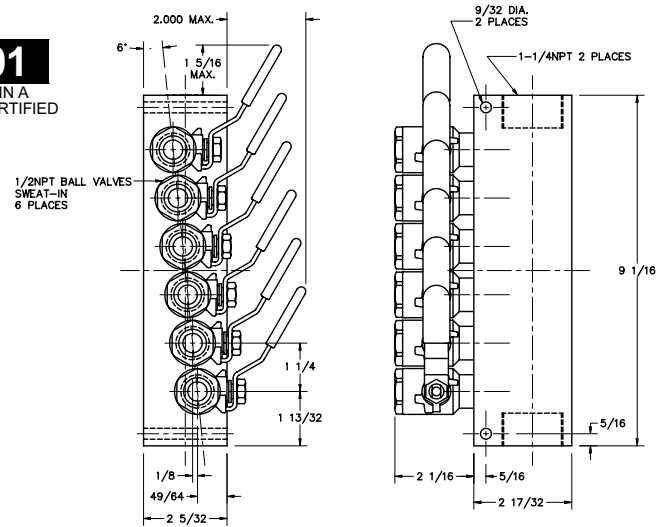
MAXI-FLOW MANIFOLDS

- SOLID BRONZE CASTINGS (RUSTPROOF)
- 9/32" DIA. MOUNTING HOLES DRILLED THRU UNIVERSAL MOUNT FOR LEFT OR RIGHT HAND MOUNTING
- FLAT SIDED FOR MOUNTING AGAINST PLATENS

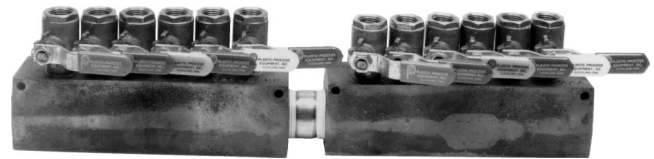
- INLETS BOTH ENDS FOR MULTIPLE USE IN SERIES
- LARGE PORTS AND VOLUME ALLOW USE OF UP TO THREE IN SERIES WITHOUT PRESSURE LOSS
- RATED FOR 120 P.S.I. @ 300°F
- GUARANTEED NO LEAKS



ISO-9001
MANUFACTURED IN A
QUALITY SYSTEM CERTIFIED
FACILITY.



40 G.P.M.
(6) 1/2" N.P.T. BALL VALVE OUTLETS
(2) 1 1/4" N.P.T. FEMALE INLET

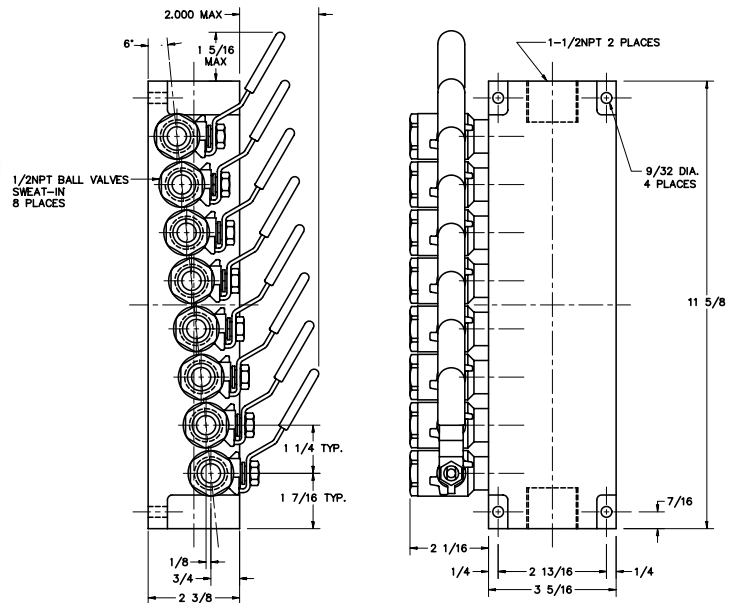


TWO MANIFOLDS IN SERIES

MODEL MFM6 MANIFOLD

1-5 units \$167.50 ea.
6 or more \$159.50 ea.

Ball Valve Rebuild Kit: includes S.S. Ball, PTFE Seals and Valve Stem Part No. LRK5\$24.10 ea



70 G.P.M.
(8) 1/2" N.P.T. BALL VALVE OUTLETS
(2) 1 1/2" N.P.T. FEMALE INLET

MODEL MFM8 MANIFOLD

1-5 units \$222.70 ea.
6 or more \$212.10 ea.



PLASTIC PROCESS EQUIPMENT, INC.

PPE WEST 6385 Montessouri Street, Las Vegas, Nevada 89113
702-433-6385 • 800-258-8877 • Fax: 702-433-6388

PPE SOUTH 11218 Challenger Avenue, Odessa, Florida 33556
727-834-8888 • 800-282-6783 • Fax: 727-834-8873

8303 CORPORATE PARK DRIVE, MACEDONIA (Cleveland), OHIO 44056, USA

www.ppe.com • e-mail: sales@ppe.com

216-367-7000 • Toll Free: 800-321-0562 • Fax: 216-367-7022 • Order Fax: 800-223-8305

Toll Free: USA, Canada & Mexico
800-362-0706