



PNEUMATIC LINE MAGNETS

RARE EARTH - PLM SERIES

QUICK CLEAN DESIGN

APPLICATION

PLM Series pneumatic line magnets are designed for use in dilute-phase pneumatic processing systems. Pneumatic line magnets effectively remove inbound tramp metal contaminants from product streams conveyed by air in both horizontal and vertical processing and transfer lines. Typical applications include powder or granular food products, pharmaceuticals, plastics and chemicals conveyed at high speeds in low density/high air systems.

OPERATION

Pneumatic line magnet easily installs in an existing conveying line, and is designed to maintain a continuous flow through the housing with no reduction in velocity. The nose cone diverts the product stream over the stainless steel sleeve assembly, which is ribbed at the magnetic pole areas to maximize tramp metal retention as the product flows over and around the sleeve. The magnet is cleaned by first removing the housing access door, which contains the magnetic assembly. The magnetic element is contained with the sleeve, and is easily removed by unscrewing the rear end wing nut. The element is pulled from the sleeve, allowing ferrous tramp iron to fall to be easily removed or discharged into a collection tray.

SELECTION

PLM Series pneumatic line magnets are available in spout outside diameters from 3" through 10". Custom diameters and rare earth magnetic elements are also available for special requirements or removal of extra-fine ferrous contaminants.

**RARE EARTH MAGNETS ARE
10 TIMES MORE POWERFUL
THAN STANDARD MAGNETS**

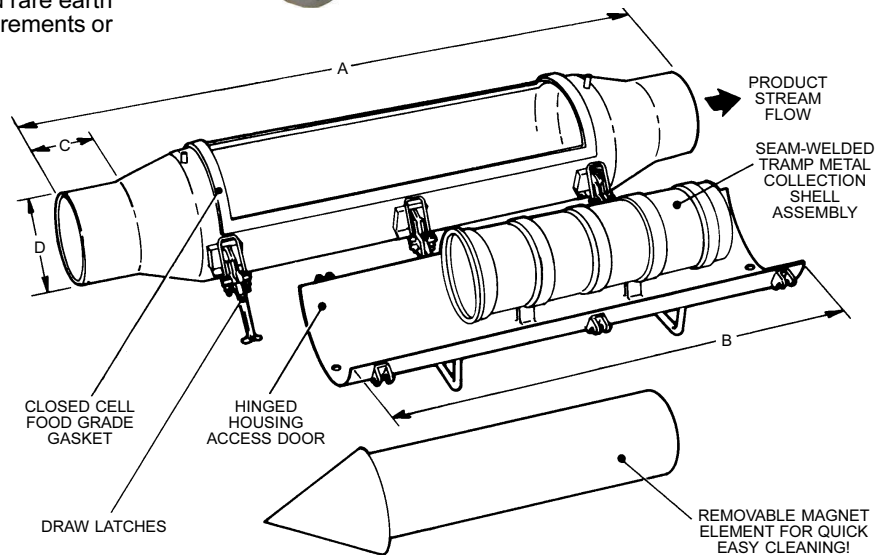


OPTIONAL FLANGES

OPTIONS

- NON-STANDARD ALLOY STAINLESS STEEL CONSTRUCTION.
- MOUNTING FLANGES AND MATCHING COMPANION FLANGES.
- SPECIAL PIPE DIAMETERS.

CALL FOR BEST PRICE



RARE EARTH WITH QUICK CLEAN						
PART NUMBER	PRICE EACH	DIM. "A" (IN.)	DIM. "B" (IN.)	DIM. "C" (IN.)	O.D. "D" (IN.)	UNIT WEIGHT (LBS.)
PLM3REQC	\$5,104.00	38	24	3.0	3.0	72
PLM4REQC	5,104.00	38	24	3.0	4.0	79
PLM5REQC	6,384.00	38	24	3.0	5.0	93
PLM6REQC	7,880.00	38	24	3.0	6.0	106
PLM8REQC	9,417.00	50	36	4.5	8.0	155
PLM10REQC	11,402.00	50	36	4.5	10.0	175



PLASTIC PROCESS EQUIPMENT, INC.

www.ppe.com • e-mail: sales@ppe.com

PPE WEST 6385 Montessouri Street, Las Vegas, Nevada 89113
702-433-6385 • 800-258-8877 • Fax: 702-433-6388

PPE SOUTH 11218 Challenger Avenue, Odessa, Florida 33556
727-834-8888 • 800-282-6783 • Fax: 727-834-8873

8303 CORPORATE PARK DRIVE, MACEDONIA (Cleveland), OHIO 44056, USA

Toll Free: USA, Canada & Mexico
800-362-0706

216-367-7000 • Toll Free: 800-321-0562 • Fax: 216-367-7022 • Order Fax: 800-223-8305