



DRAWER MAGNETS

POSITIVE PROTECTION FOR EXPENSIVE TOOLING!

UNDRILLED FLANGES

Drill them yourself to save time and money.

- 3/8" thick slide gate shut-off.
- 1/4" thick top & bottom plates.
- Welded steel housings.
- Ceramic magnet tubes for greater holding power.
- Magnets are welded & sealed.
- Steep tapered sides ensures positive material flow.
- Traps ferrous metals.
- Welded latch assembly.
- 1/2" thick polycarbonate window.
- Flanges are undrilled.

**IN-STOCK
FOR IMMEDIATE SHIPMENT!**

MODEL BLM44

2" square top and bottom openings 4 1/2" square top and bottom flanges



MODEL BLM44

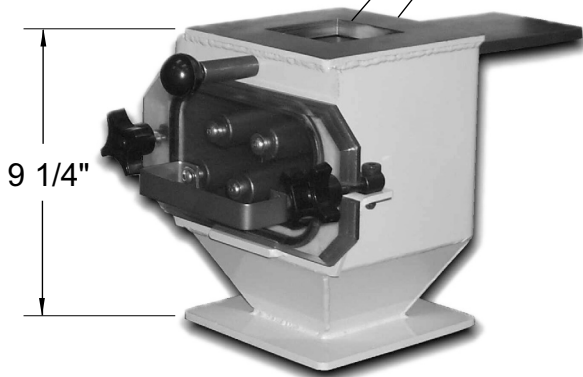
1-2	\$274.00
3+	\$255.00

Spare Magnet Drawer Assembly

Includes: Magnets, Window w/Gasket & Handle
Part No. CDM-44-DA \$122.85

MODEL BLM66

3" square top and bottom openings 6 1/2" square top and bottom flanges



MODEL BLM66

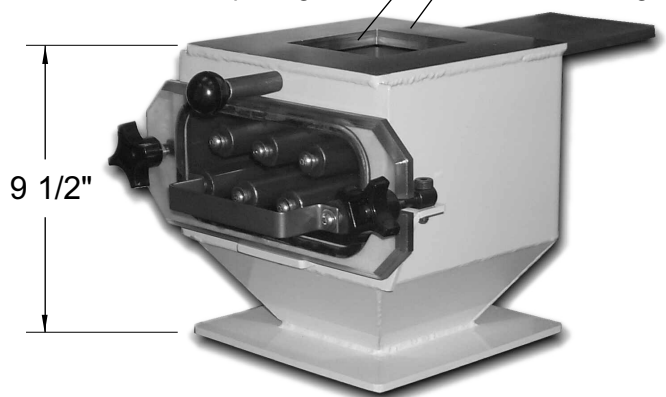
1-2	\$340.00
3+	\$320.00

Spare Magnet Drawer Assembly

Includes: Magnets, Window w/Gasket & Handle
Part No. CDM-66-DA \$155.70

MODEL BLM88

4" square top and bottom openings 8 1/2" square top and bottom flanges



MODEL BLM88

1-2	\$435.00
3+	\$410.00

Spare Magnet Drawer Assembly

Includes: Magnets, Window w/Gasket & Handle
Part No. CDM-88-DA \$237.15



PLASTIC PROCESS EQUIPMENT, INC.

www.ppe.com • e-mail: sales@ppe.com

PPE WEST 6385 Montessouri Street, Las Vegas, Nevada 89113
702-433-6385 • 800-258-8877 • Fax: 702-433-6388

PPE SOUTH 11218 Challenger Avenue, Odessa, Florida 33556
727-834-8888 • 800-282-6783 • Fax: 727-834-8873

8303 CORPORATE PARK DRIVE, MACEDONIA (Cleveland), OHIO 44056, USA

216-367-7000 • Toll Free: 800-321-0562 • Fax: 216-367-7022 • Order Fax: 800-223-8305

Toll Free: USA, Canada & Mexico
800-362-0706