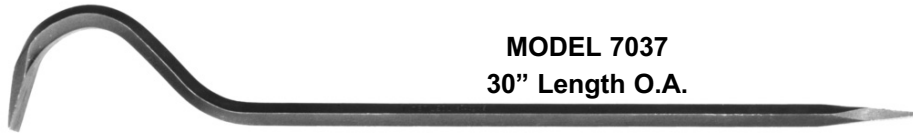




MOLD PRY BARS

- HEAVY DUTY FORGED ALLOY STEEL
- SMOOTH FINISHED TAPERS
- HEAT TREATED
- BLACK OXIDE RUST RESISTANT

IN STOCK!
NO MINIMUMS
NO MAXIMUMS
HIGHEST QUALITY
LOWEST PRICES



MODEL 7037
30" Length O.A.



MODEL 7035
18" Length O.A.



MODEL 7032
18" Length O.A.



MODEL 7025
16 1/4" Length O.A.

MOLDERS HAVE TOLD
US OUR TOOLS ARE
BETTER QUALITY THAN
OUR COMPETITORS

MODEL MPB-4 PRY BAR KIT
KIT INCLUDES ONE OF EACH TOOL
VALUE \$44.95 **\$42.70**

MODEL NO.	DESCRIPTION	PRICES EACH
7037	30" Long x 3/4" Hex Stock Large Radius Head	\$17.75
7035	18" Long x 5/8" Hex Stock Medium Radius Head	9.10
7032	18" Long x 5/8" Hex Stock Rolling Head	9.60
7025	16-1/4" Long x 5/8 Hex Stock Prying Head	8.50

NOTE: We Don't Care What You Call These Tools, If You Need Them Buy Them!



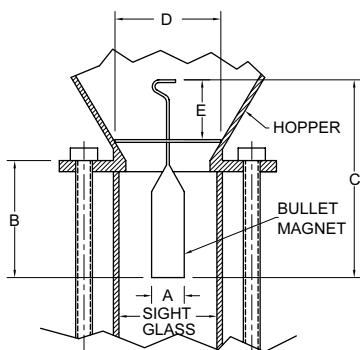
BULLET MAGNETS ⁵ MODELS

SUPER POWER - RARE EARTH MAGNETS FOR JUST-IN-TIME LOADERS

FEATURES & BENEFITS

- Longer lengths for more magnetic surface area.
- Two magnet diameters, 1 inch & 5/8 inch.
- Five sizes to fit most sight glass throats.
- Sealed welded construction.
- Super power rare earth magnet.

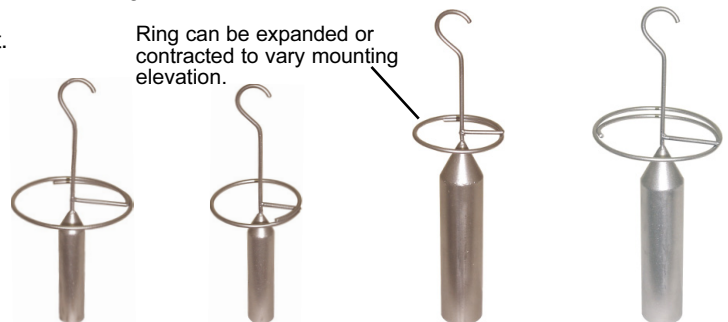
The PPE Bullet Magnets are Super Power Rare Earth (Neodymium-Iron-Boron) Cartridges welded to a stainless steel wire ring. They are designed to be suspended in the center of the site glass tube of your hopper loader to catch and hold tramp ferrous metals. This position allows you to inspect the magnet for metal build-up. The magnet will not interfere with your proximity level control switch. The stainless ring can be bent to suit your required diameter for the correct suspension height.



THE BETTER
BULLET
MAGNETS

Model 200115
Fits PPE
Venturi Loader

Ring can be expanded or contracted to vary mounting elevation.



PART NO.	DIMENSIONS					PRICE EACH
	"A" DIA.	"B" LENGTH	"C" O.A.	"D" RING	"E"	
200115	1"	3"	9-1/2"	4-3/8"	---	\$120.00
200116	1"	4-1/2"	8"	2-1/2"	3"	125.00
200117	1"	4-1/2"	8"	1-3/4"	3"	125.00
200118	5/8"	2-7/8"	6-1/8"	1-3/4"	2-3/4"	78.00
200119	5/8"	2-7/8"	6-1/8"	2-1/2"	2-3/4"	78.00