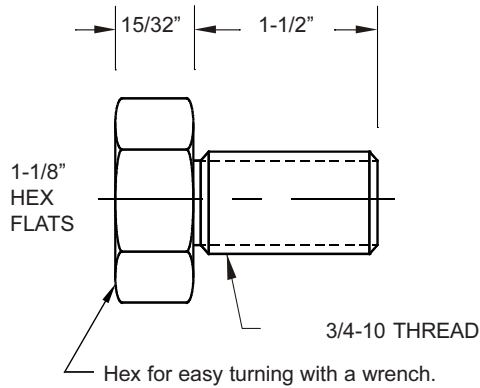




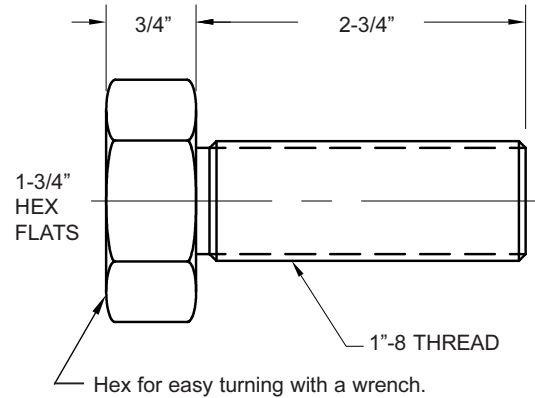
# HEIGHT ADJUSTMENT BOLTS



## 3/4-10 THREAD HEIGHT ADJUSTMENT BOLT



## 1"- 8 THREAD HEIGHT ADJUSTMENT BOLT



### PART NO. AB-1

1 - 8 pcs .....	\$4.30 ea
9 - 23 .....	\$4.10 ea
24 & over .....	\$3.90 ea

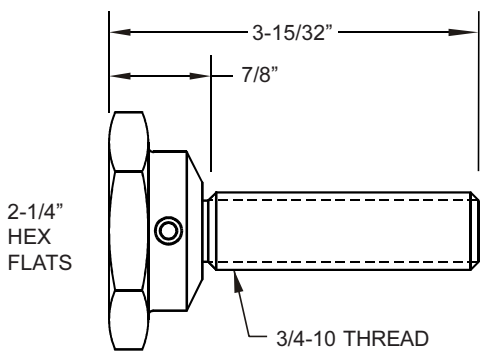
### PART NO. AB-2

1 - 8 pcs .....	\$7.30 ea
9 - 23 .....	\$6.95 ea
24 & over .....	\$6.60 ea

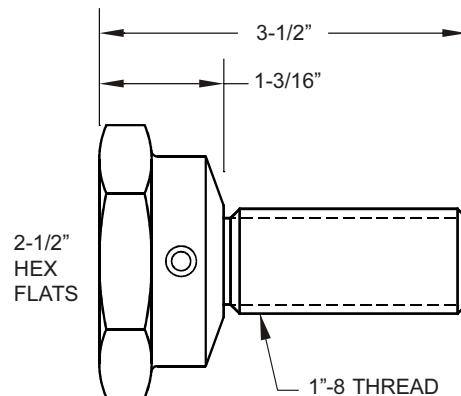


# SWIVEL ADJUSTMENT BOLTS

## 3/4-10 THREAD SWIVEL ADJUSTMENT BOLT



## 1"- 8 THREAD SWIVEL ADJUSTMENT BOLT



### PART NO. SAB3/4

1 - 8 pcs .....	\$9.90 ea
9 - 23 .....	\$9.40 ea
24 & over .....	\$8.90 ea

### PART NO. SAB1

1 - 8 pcs .....	\$9.75 ea
9 - 23 .....	\$9.25 ea
24 & over .....	\$8.80 ea



## PLASTIC PROCESS EQUIPMENT, INC.

www.ppe.com • e-mail: sales@ppe.com

6385 Montessouri Street, Las Vegas, Nevada 89113  
702-433-6385 • 800-258-8877 • Fax: 702-433-6388

11218 Challenger Avenue, Odessa, Florida 33556  
727-834-8888 • 800-282-6783 • Fax: 727-834-8873

8303 CORPORATE PARK DRIVE, MACEDONIA (Cleveland), OHIO 44056, USA

Toll Free: USA, Canada & Mexico  
**800-362-0706**

216-367-7000 • Toll Free: 800-321-0562 • Fax: 216-367-7022 • Order Fax: 800-223-8305