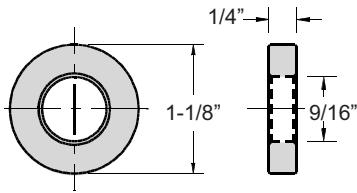




# HEAVY DUTY MACHINED WASHERS

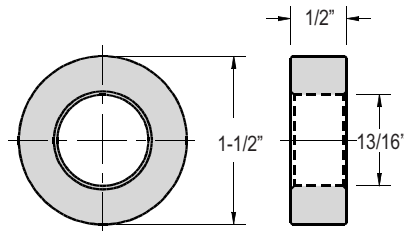
4140 STEEL  
HEAT TREATED  
40-46 Rc

## DESIGNED FOR TOUGH MOLD CLAMPING REQUIREMENTS



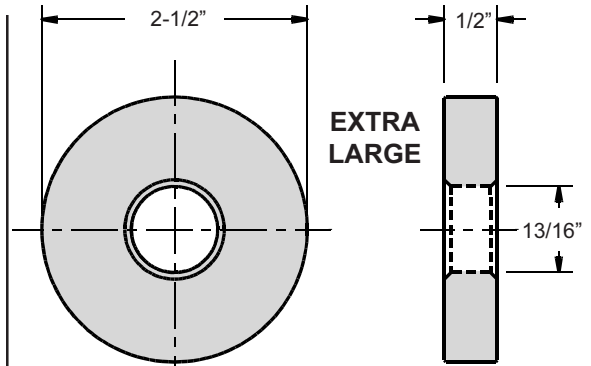
### MODEL W-118

1-8 PCS	.....	\$1.14
9-23 PCS	.....	\$1.08
24-99 PCS	.....	\$1.03
100+ PCS	.....	\$.97



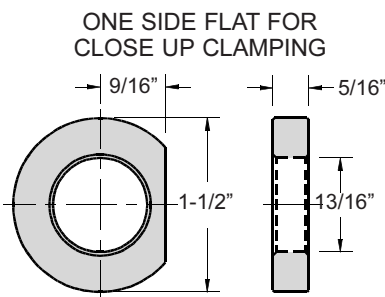
### MODEL W-114

1-8 PCS	.....	\$1.56
9-23 PCS	.....	\$1.51
24-99 PCS	.....	\$1.46
100+ PCS	.....	\$1.42



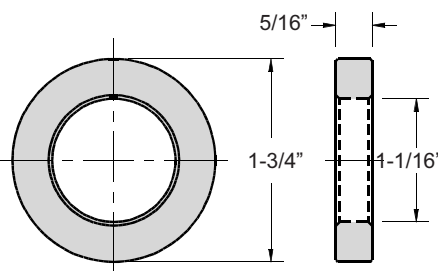
### MODEL W-6

1-8 PCS	.....	\$5.10
9-23 PCS	.....	\$4.90
24+	.....	\$4.70



### MODEL W-112F

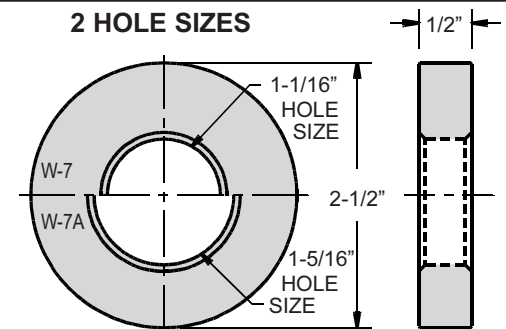
1-8 PCS	.....	\$1.56
9-23 PCS	.....	\$1.51
24-99 PCS	.....	\$1.46
100+ PCS	.....	\$1.42



### MODEL W-134

1-8 PCS	.....	\$1.66
9-23 PCS	.....	\$1.61
24-99 PCS	.....	\$1.56
100+ PCS	.....	\$1.52

Note: Drawings are not to scale.

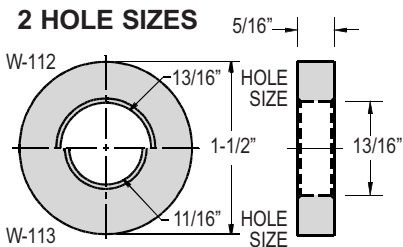


### MODEL W-7

1-8 PCS	.....	\$5.10
9-23 PCS	.....	\$4.90
24+	.....	\$4.70

### MODEL W-7A

1-8 PCS	.....	\$5.35
9-23 PCS	.....	\$5.15
24+	.....	\$4.95

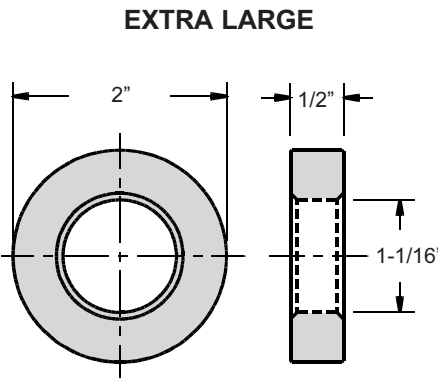


### MODEL W-112

1-8 PCS	.....	\$1.13
9-23 PCS	.....	\$1.09
24-99 PCS	.....	\$1.05
100+ PCS	.....	\$.99

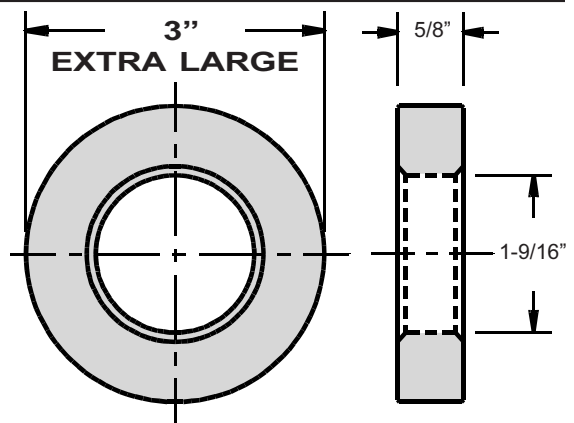
### MODEL W-113

1-8 PCS	.....	\$1.13
9-23 PCS	.....	\$1.09
24-99 PCS	.....	\$1.05
100+ PCS	.....	\$.99



### MODEL W-5

1-8 PCS	.....	\$3.60
9-23 PCS	.....	\$3.45
24-99 PCS	.....	\$3.30
100+ PCS	.....	\$3.15



### MODEL W-8A

1-8 PCS	.....	\$10.90
9-23 PCS	.....	\$10.35
24+	.....	\$9.85



## PLASTIC PROCESS EQUIPMENT, INC.

www.ppe.com • e-mail: sales@ppe.com

6385 Montessouri Street, Las Vegas, Nevada 89113  
PPE WEST 702-433-6385 • 800-258-8877 • Fax: 702-433-6388

11218 Challenger Avenue, Odessa, Florida 33556  
PPE SOUTH 727-834-8888 • 800-282-6783 • Fax: 727-834-8873

8303 CORPORATE PARK DRIVE, MACEDONIA (Cleveland), OHIO 44056, USA

Toll Free: USA, Canada & Mexico  
**800-362-0706**

216-367-7000 • Toll Free: 800-321-0562 • Fax: 216-367-7022 • Order Fax: 800-223-8305