



# SAFETY HOIST RINGS



## SWIVELS 360° - PIVOTS 180°

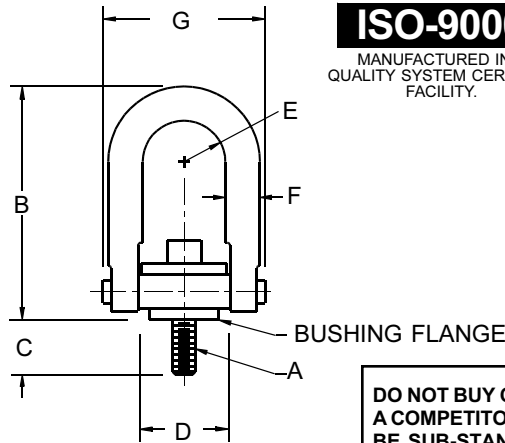
### PERMITS YOU TO HANDLE MOLDS MORE SAFELY

#### -FEATURES-

- SAFE LIFTING AT ANY ANGLE.
- COMPENSATES FOR UNBALANCED LOADS.
- 5X SAFETY LOAD FACTOR.
- HEAT TREATED ALLOY STEEL.
- ALL COMPONENTS MAGNETIC PARTICLE INSPECTED 100%.
- SPARE BOLTS AVAILABLE.
- AMERICAN AND METRIC SIZES.

#### -SPECIFICATIONS-

- MATERIAL: AISI 4140 AIRCRAFT GRADE CHROME-MOLY HEAT TREATED MIL-H-6875
- 100% MAGNETIC PARTICLE INSPECTED IN ACCORDANCE WITH ASME SECTION 5 ARTICLE 1
- TESTED @ 5:1 STRENGTH FACTOR
- BLACK OXIDE COATED.
- SWIVELS 360° - PIVOTS 180°.
- MADE IN THE U.S.A.
- INSTALLATION INSTRUCTIONS INCLUDED WITH EACH HOIST RING.



**ISO-9000**  
MANUFACTURED IN A QUALITY SYSTEM CERTIFIED FACILITY.



#### CAUTION

DO NOT BUY CHEAP IMITATIONS! WE BOUGHT ONE FROM A COMPETITOR AND FOUND THE DESIGN AND QUALITY TO BE SUB-STANDARD AND THEY WERE IMPORTED. THEY EVEN LOOKED UNSAFE. ALWAYS SPECIFY PPE HIGH QUALITY SAFETY HOIST RINGS! MADE IN THE U.S.A.

P.S. WE ALSO FOUND OUT THEIR PARTS WERE IMPORTED AND ASSEMBLED HERE IN THE U.S.A.. TO US IT MEANS IT'S STILL AN IMPORT!

#### SAFETY HOIST RING ASSEMBLIES (INCLUDES BOLT AND RETAINING RING)

"A" THREAD SIZE	LOAD CAPACITY (LBS.)	PART NO.	PRICE EACH	"B"	"C" THREAD LENGTH	"D"	"E" RADIUS	"F" DIA.	"G" WIDTH O.A.	TORQUE (FT-LB.)	WT. (LBS.)
5/16"-18	800	P23406	\$46.75	2.67"	.54"	1.00"	.43"	.375"	1.84"	7	.3
3/8"-16	1000	P23408	\$46.75	2.67"	.54"	1.00"	.43"	.38"	1.84"	12	.3
1/2"-13	2500	P23411	\$58.40	4.78"	.78"	1.99"	.88"	.75"	3.52"	28	2.5
5/8"-11	4000	P23414	\$58.40	4.78"	1.03"	1.99"	.88"	.75"	3.52"	60	2.5
3/4"-10	5000	P23417	\$58.40	4.78"	1.03"	1.99"	.88"	.75"	3.52"	100	2.7
7/8"-9	8000	P23423	\$128.45	6.52"	1.04"	3.00"	1.40"	1.00"	5.14"	160	6.8
1"-8	10,000	P23426	\$134.25	6.52"	1.54"	3.00"	1.40"	1.00"	5.14"	230	7.0
1 1/4"-7	15,000	P23429	\$227.75	8.73"	1.89"	3.76"	1.75"	1.25"	6.50"	470	14.5
1 3/8"-6	20,000	P23430	\$391.20	10.20"	2.50"	4.31"	2.00"	1.50"	7.46"	540	23
1 1/2"-6	24,000	P23433	\$280.30	12.47"	2.70"	4.87"	2.25"	1.75"	8.55"	800	33
2"-4 1/2	30,000	P23435	\$373.75	12.47"	2.96"	4.87"	2.25"	1.75"	8.55"	800	36
2 1/2"-8	50,000	P23439	\$1,308.05	16.87"	4.00"	6.52"	3.00"	2.25"	11.67"	2100	88
2 1/2"-4	50,000	P23438	\$1,308.05	16.87"	4.00"	6.52"	3.00"	2.25"	11.67"	2100	88
3"-4	75,000	P23440	\$2,202.70	19.50"	5.00"	8.10"	3.75"	2.75"	14.15"	4300	166
3 1/2"-4	100,000	P23442	\$7,649.80	22.09"	7.00"	8.60"	4.00"	3.25"	15.90"	5100	265

#### SPARE BOLTS W/RETAINING RINGS

PART NO.	PRICE
P23606	\$3.90
P23608	\$3.90
P23611	\$6.80
P23614	\$7.95
P23617	\$10.00
P23623	\$15.75
P23626	\$18.10
P23629	\$55.70
P23630	\$67.65
P23633	\$93.70
P23635	\$149.10
P23639	\$232.50
P23638	\$210.80
P23640	\$380.90
N/A	N/A

#### METRIC HOIST RINGS

"A" THREAD SIZE	LOAD CAPACITY (KG.)	PART NO.	PRICE EACH	"B" (mm)	"C" (mm)	"D" (mm)	"E" (mm)	"F" (mm)	"G" (mm)	TORQUE (N-m)	WT. (LBS.)
M8x1.25	400	P23456	\$64.90	68	13	25	11	10	47	9	0.4
M10x1.50	500	P23458	\$64.90	68	18	25	11	10	47	16	0.4
M12x1.75	1,050	P23462	\$80.55	121	19	51	22	19	89	37	2.5
M16x2.0	1,900	P23465	\$80.55	121	29	51	22	19	89	80	2.5
M20x2.5	2,150	P23468	\$84.00	121	34	51	22	19	89	135	2.7
M20x2.5	3,000	P23471	\$171.65	166	32	76	36	25	131	135	6.7
M24x3.0	4,200	P23474	\$171.65	166	37	76	36	25	131	311	7.0
M30x3.5	4,200	P23478	\$171.65	206	58	76	36	25	131	637	7.0
M30x3.5	7,000	P23479	\$315.30	222	67	95	45	32	165	637	15
M33x3.5	10,000	P23481	\$408.75	259	58	109	50	38	189	637	23
M36x4.0	11,000	P23483	\$367.85	317	68	124	57	44	217	1085	35
M42x4.5	12,500	P23484	\$397.10	317	83	124	57	44	217	1085	36
M48x5.0	13,500	P23485	\$426.25	317	83	124	57	44	217	1085	38
M64x6.0	22,300	P23488	\$1,559.35	428	101	165	76	57	296	2847	86
M72x6.0	31,500	P23489	\$2,598.85	495	132	206	95	70	359	5830	165
M80x6.0	31,500	P23490	\$3,022.00	495	132	206	95	70	359	5830	165
M90x6.0	44,600	P23491	\$9,247.25	561	177	218	102	83	404	6914	260
M100x6.0	44,600	P23492	\$9,609.85	561	200	218	102	83	404	6914	280

PART NO.	PRICE
P23656	\$7.75
P23658	\$7.75
P23662	\$9.15
P23665	\$10.75
P23668	\$11.95
P23671	\$16.70
P23674	\$20.75
P23678	\$68.00
P23679	\$67.70
P23681	\$81.80
P23683	\$94.60
P23684	\$126.10
P23685	\$129.65
P23688	\$256.95
N/A	N/A
N/A	N/A
N/A	N/A
N/A	N/A

1. Stated load capacity based on specific thread torques as shown in chart.  
2. It is recommended that these torques be used when installing hoist rings.