



THICK FLAT WASHERS - GRADE 8

1055 CARBON STEEL - HEAT TREATED - YELLOW ZINC PLATED

BETTER THAN THE COMPETITION:

BETTER STEEL, BETTER HEAT TREAT AND BETTER PLATING.

ISO-9002

MANUFACTURED IN A
QUALITY SYSTEM CERTIFIED
FACILITY.



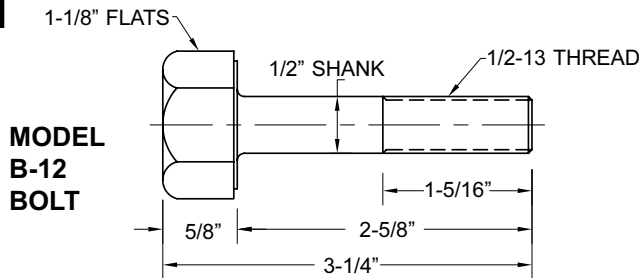
FITS BOLT SIZE	APPROX. I.D.	APPROX. O.D.	THICKNESS RANGE	PART NO.	QUANTITY PRICES EACH		
					1-49	50-99	100+
1/4"	.281	.625	.090/.110	TW140	\$.10	\$.09	\$.08
5/16"	.344	.688	.090/.110	TW516	.11	.10	.09
3/8"	.406	.812	.112/.130	TW380	.12	.11	.10
7/16"	.468	.921	.112/.130	TW716	.14	.13	.12
1/2"	.531	1.062	.156/.188	TW120	.18	.17	.16
9/16"	.593	1.187	.156/.188	TW916	.20	.19	.18
5/8"	.656	1.312	.170/.195	TW580	.39	.36	.34
3/4"	.812	1.468	.170/.195	TW340	.55	.52	.49
7/8"	.937	1.750	.235/.265	TW780	.74	.70	.66
1"	1.062	2.000	.235/.265	TW100	.93	.88	.83
1-1/4"	1.375	2.500	.310/.336	TW114	1.30	1.24	1.18

MIX OR MATCH FOR QUANTITY BREAKS



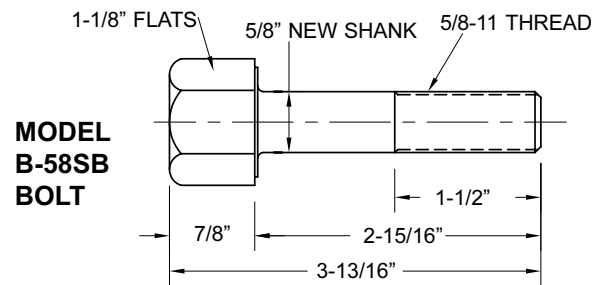
HEAVY DUTY HEX HEAD BOLTS

OVERSIZE HEX HEAD



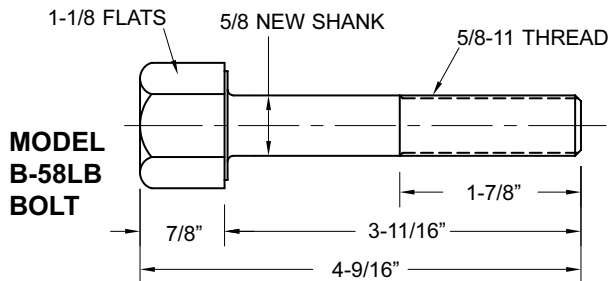
MODEL B-12 BOLT

- 1-8 PCS \$7.95 ea.
- 9-23 PCS \$7.65 ea.
- 24+ PCS \$7.35 ea.



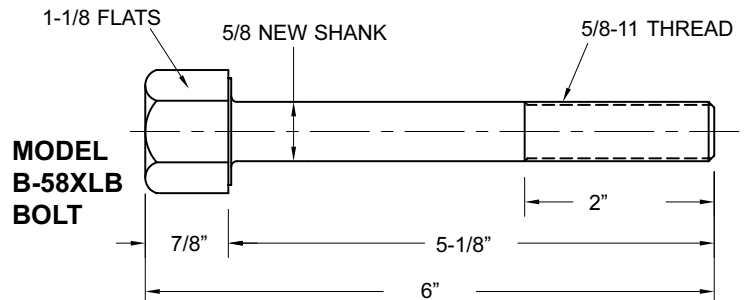
MODEL B-58SB BOLT

- 1-8 PCS \$8.25 ea.
- 9-23 PCS \$8.00 ea.
- 24+ PCS \$7.75 ea.



MODEL B-58LB BOLT

- 1-8 PCS \$9.10 ea.
- 9-23 PCS \$8.85 ea.
- 24+ PCS \$8.60 ea.



MODEL B-58XLB BOLT

- 1-8 PCS \$10.80 ea.
- 9-23 PCS \$10.50 ea.
- 24+ PCS \$10.15 ea.



PLASTIC PROCESS EQUIPMENT, INC.

www.ppe.com • e-mail: sales@ppe.com

PPE WEST 6385 Montessouri Street, Las Vegas, Nevada 89113
702-433-6385 • 800-258-8877 • Fax: 702-433-6388

PPE SOUTH 11218 Challenger Avenue, Odessa, Florida 33556
727-834-8888 • 800-282-6783 • Fax: 727-834-8873

8303 CORPORATE PARK DRIVE, MACEDONIA (Cleveland), OHIO 44056, USA

Toll Free: USA, Canada & Mexico
800-362-0706

PPE 216-367-7000 • Toll Free: 800-321-0562 • Fax: 216-367-7022 • Order Fax: 800-223-8305