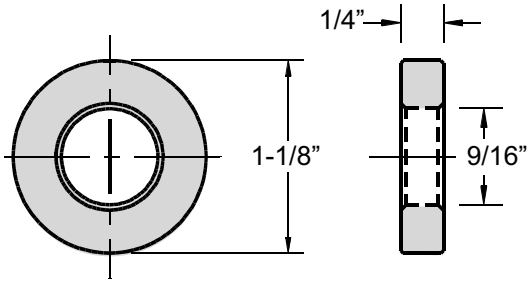




HEAVY DUTY WASHERS

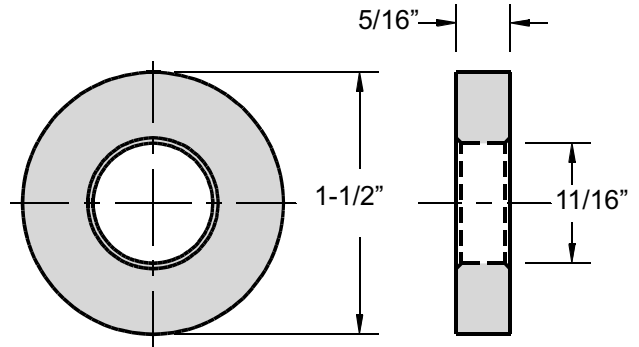
4140 STEEL
HEAT TREATED
40-46 Rc

DESIGNED FOR TOUGH MOLD CLAMPING REQUIREMENTS



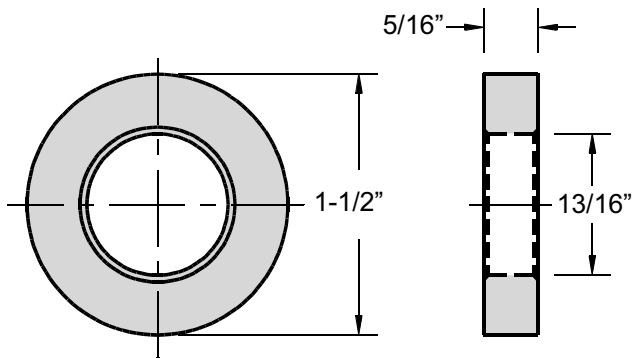
MODEL W-118

1-8 PCS	\$.98
9-23 PCS	\$.93
24-99 PCS	\$.88
100+ PCS	\$.83



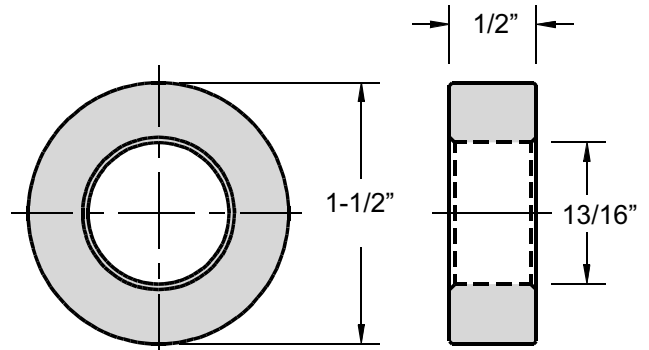
MODEL W-113

1-8 PCS	\$1.13
9-23 PCS	\$1.09
24-99 PCS	\$1.05
100+ PCS	\$.99



MODEL W-112

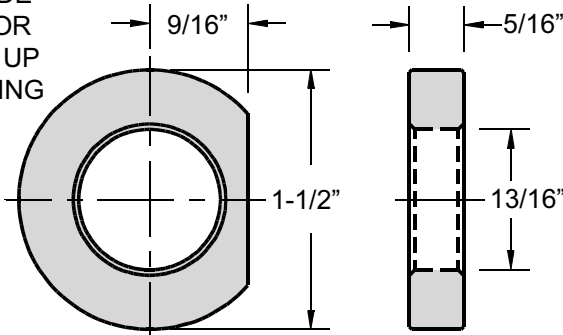
1-8 PCS	\$1.13
9-23 PCS	\$1.09
24-99 PCS	\$1.05
100+ PCS	\$.99



MODEL W-114

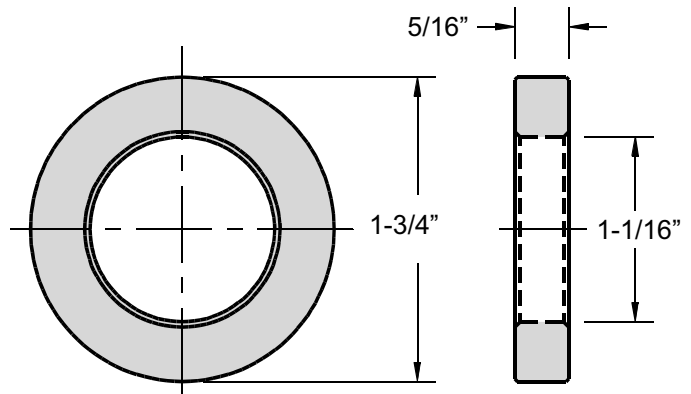
1-8 PCS	\$1.56
9-23 PCS	\$1.51
24-99 PCS	\$1.46
100+ PCS	\$1.42

ONE SIDE
FLAT FOR
CLOSE UP
CLAMPING



MODEL W-112F

1-8 PCS	\$1.56
9-23 PCS	\$1.51
24-99 PCS	\$1.46
100+ PCS	\$1.42



MODEL W-134

1-8 PCS	\$1.66
9-23 PCS	\$1.61
24-99 PCS	\$1.56
100+ PCS	\$1.52



PLASTIC PROCESS EQUIPMENT, INC.

www.ppe.com • e-mail: sales@ppe.com

PPE WEST 6385 Montessouri Street, Las Vegas, Nevada 89113
702-433-6385 • 800-258-8877 • Fax: 702-433-6388

PPE SOUTH 11218 Challenger Avenue, Odessa, Florida 33556
727-834-8888 • 800-282-6783 • Fax: 727-834-8873

8303 CORPORATE PARK DRIVE, MACEDONIA (Cleveland), OHIO 44056, USA

Toll Free: USA, Canada & Mexico

PPE 216-367-7000 • Toll Free: 800-321-0562 • Fax: 216-367-7022 • Order Fax: 800-223-8305

800-362-0706