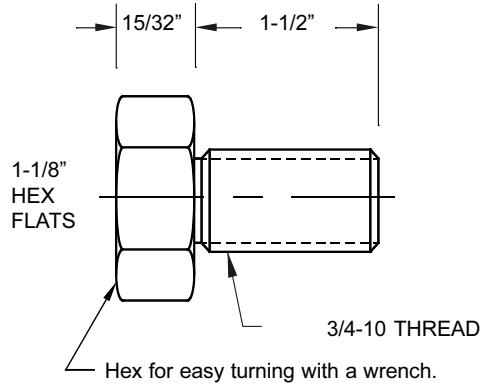




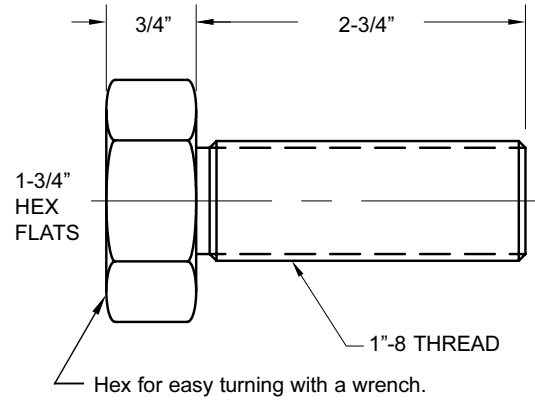
HEIGHT ADJUSTMENT BOLTS



3/4-10 THREAD HEIGHT ADJUSTMENT BOLT



1"- 8 THREAD HEIGHT ADJUSTMENT BOLT



PART NO. AB-1

1 - 8 pcs	\$4.30 ea
9 - 23	\$4.10 ea
24 & over	\$3.90 ea

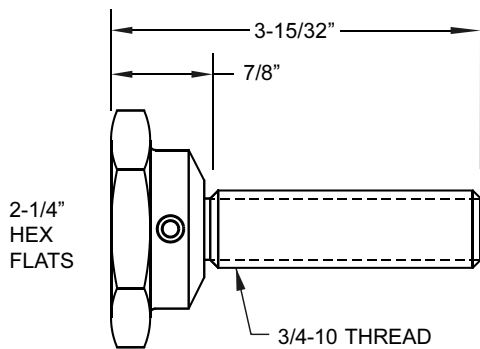
PART NO. AB-2

1 - 8 pcs	\$7.30 ea
9 - 23	\$6.95 ea
24 & over	\$6.60 ea

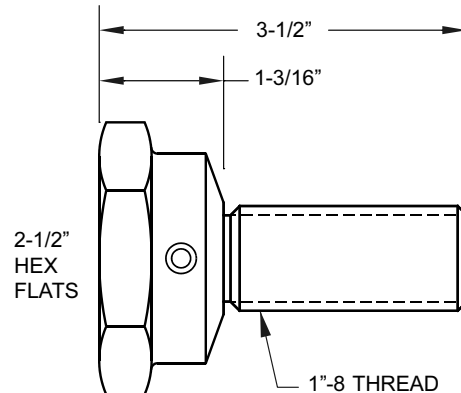


SWIVEL ADJUSTMENT BOLTS

3/4-10 THREAD SWIVEL ADJUSTMENT BOLT



1"- 8 THREAD SWIVEL ADJUSTMENT BOLT



PART NO. SAB3/4

1 - 8 pcs	\$9.90 ea
9 - 23	\$9.40 ea
24 & over	\$8.90 ea

PART NO. SAB1

1 - 8 pcs	\$9.75 ea
9 - 23	\$9.25 ea
24 & over	\$8.80 ea



PLASTIC PROCESS EQUIPMENT, INC.

www.ppe.com • e-mail: sales@ppe.com

6385 Montessouri Street, Las Vegas, Nevada 89113
702-433-6385 • 800-258-8877 • Fax: 702-433-6388

11218 Challenger Avenue, Odessa, Florida 33556
727-834-8888 • 800-282-6783 • Fax: 727-834-8873

8303 CORPORATE PARK DRIVE, MACEDONIA (Cleveland), OHIO 44056, USA

Toll Free: USA, Canada & Mexico
800-362-0706

216-367-7000 • Toll Free: 800-321-0562 • Fax: 216-367-7022 • Order Fax: 800-223-8305