



MOLD WATER JUMPER FITTINGS

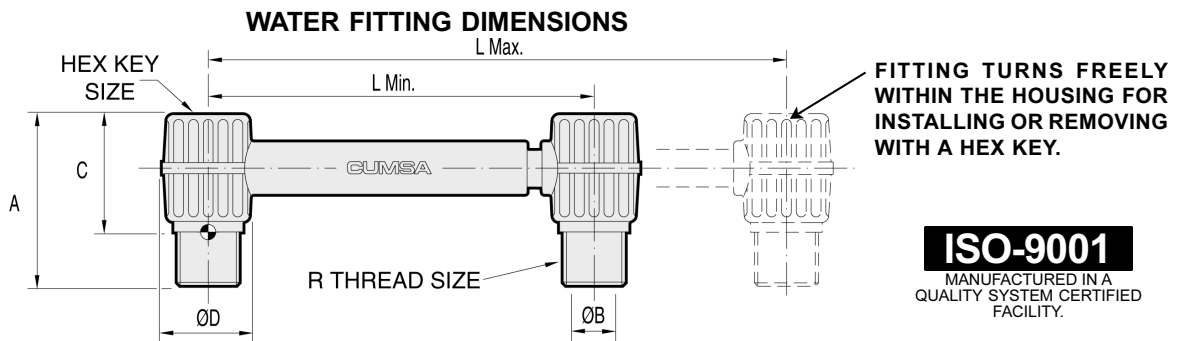
LOW PROFILE DESIGN ELIMINATES CLEARANCE PROBLEMS

FEATURES & SPECS:

- Replaces annoying hoses and messy fluid lines.
- Quick, easy installation.
- Reduces the space required by the mold
- Allows 80% of straight-thru flow.
- Maximum pressure: 87 p.s.i. (6 bars)
- Temperature Range: 33°F to 176°F
- Color: Black
- Can be used with water or Ethylene Glycol
- Telescopes to length required.

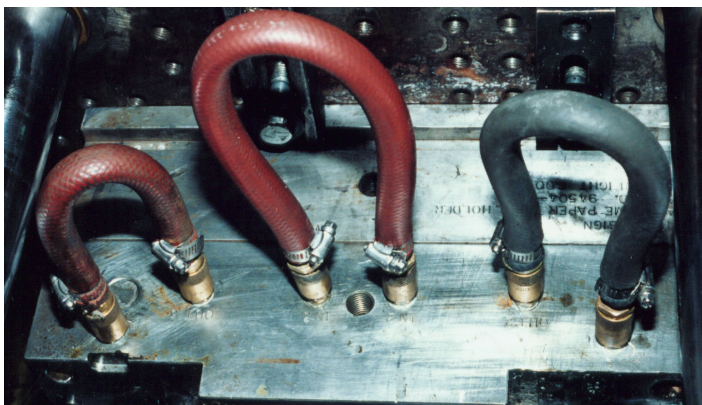


CUMSA



Mold Water Fittings are constructed of Polyoxymethylene (POM), an Acetal Resin, which provides good fatigue life, low moisture sensitivity and high solvent and chemical resistance. In addition, Acetal resins are among the strongest of all thermoplastics.

PART NO.	R THREAD	ØB	L MIN.	L. MAX	A	ØD	C	HEX KEY SIZE	PRICES	
									1-9	10+
WF1852D	1/8" NPT	0.24"	3.94"	5.12"	1.30"	0.79"	0.94"	4 mm	\$21.80	\$20.80
WF1879D	1/8" NPT	0.24"	5.12"	7.87"	1.30"	0.79"	0.94"	4 mm	21.80	20.80



THIS?

OR



THIS?



PLASTIC PROCESS EQUIPMENT, INC.

www.ppe.com • e-mail: sales@ppe.com

PPE WEST 6385 Montessouri Street, Las Vegas, Nevada 89113
702-433-6385 • 800-258-8877 • Fax: 702-433-6388

PPE SOUTH 11218 Challenger Avenue, Odessa, Florida 33556
727-834-8888 • 800-282-6783 • Fax: 727-834-8873

8303 CORPORATE PARK DRIVE, MACEDONIA (Cleveland), OHIO 44056, USA

216-367-7000 • Toll Free: 800-321-0562 • Fax: 216-367-7022 • Order Fax: 800-223-8305

Toll Free: USA, Canada & Mexico
800-362-0706