

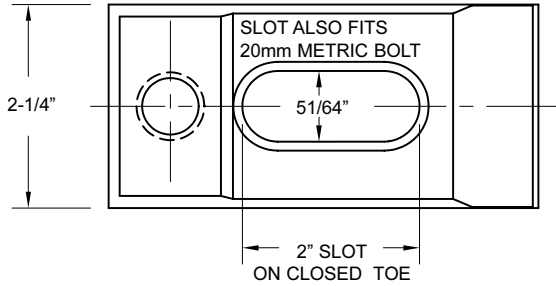


4-3/4" HEAVY DUTY FORGED

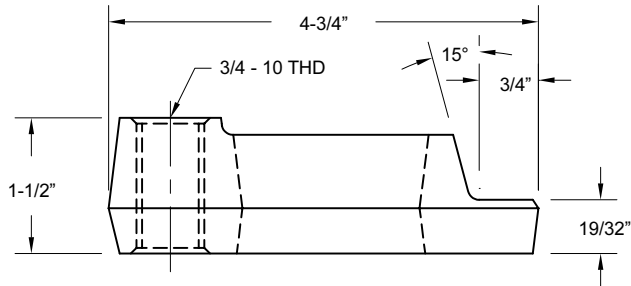
FOR 5/8-11 AND 3/4-10 THD. PLATEN HOLES

- ADJUSTABLE HEIGHT -

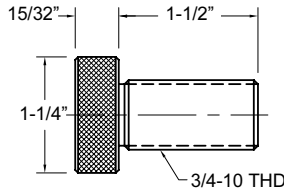
**MOLD
CLAMPS**



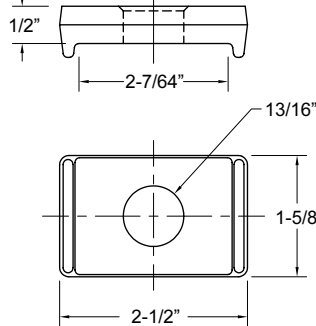
**MODEL FCM-5 MOLD CLAMP
CLOSED-TOE FORGED**



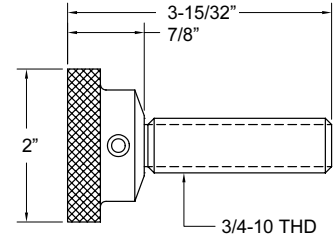
**MODEL FCMOT-5 MOLD CLAMP
OPEN-TOE FORGED**



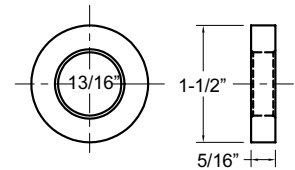
**MODEL AB-1 HEIGHT
ADJUSTMENT BOLT**



**MODEL FW-112
NO-TURN
FORGED WASHER**

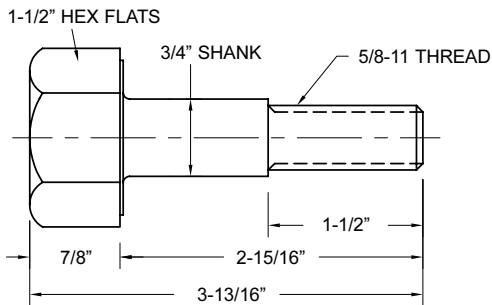


**MODEL SAB3/4
SWIVEL HEIGHT
ADJUSTMENT BOLT**

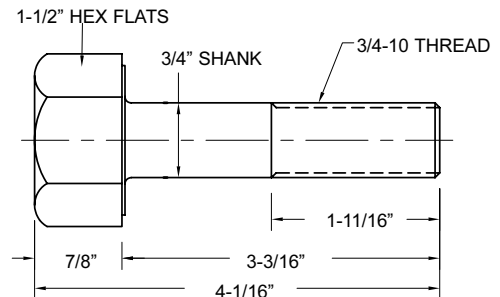


MODEL W-112 WASHER

PART NO.	DESCRIPTION	QUANTITY PRICING			
		1-8	9-23	24-99	100+
FCM-5	4-3/4" FORGED MOLD CLAMP	\$17.10	\$16.30	\$15.55	
FCMOT-5	4-3/4" OPEN-TOE MOLD CLAMP	19.05	18.15	17.35	
B-58S	5/8-11 HEAVY DUTY BOLT	9.10	8.80	8.50	
B-34S	3/4-10 HEAVY DUTY BOLT	9.10	8.80	8.50	
AB-1	3/4-10 HEIGHT ADJUSTMENT BOLT	4.30	4.10	3.90	
G8341015	3/4-10 GRADE 8 BOLT	.86	.86	.82	
SAB3/4	3/4-10 SWIVEL HEIGHT ADJUSTMENT BOLT	9.90	9.40	8.90	
FW-112	FORGED NO-TURN WASHER 13/16" I.D.	3.05	2.95	2.80	2.70
W-112	WASHER 13/16" I.D.	1.13	1.09	1.05	.99



MODEL B-58S BOLT



MODEL B-34S BOLT



PLASTIC PROCESS EQUIPMENT, INC.

www.ppe.com • e-mail: sales@ppe.com

6385 Montessouri Street, Las Vegas, Nevada 89113
702-433-6385 • 800-258-8877 • Fax: 702-433-6388

11218 Challenger Avenue, Odessa, Florida 33556
727-834-8888 • 800-282-6783 • Fax: 727-834-8873

8303 CORPORATE PARK DRIVE, MACEDONIA (Cleveland), OHIO 44056, USA

Toll Free: USA, Canada & Mexico
800-362-0706

216-367-7000 • Toll Free: 800-321-0562 • Fax: 216-367-7022 • Order Fax: 800-223-8305