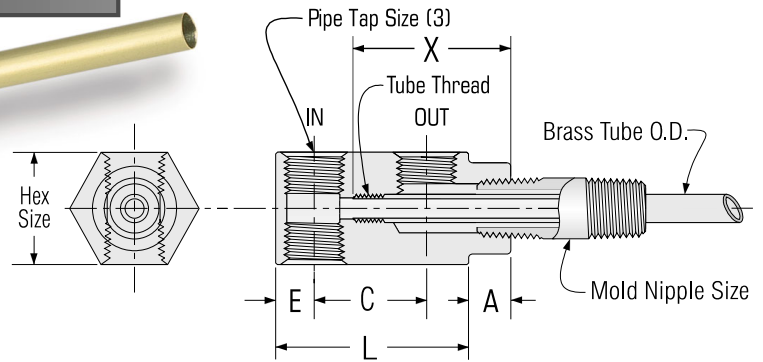




# Nipple Type Cascade Assemblies

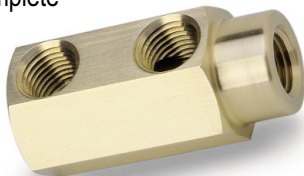


- Assemblies include brass head, 12" Brass Tube, 2" long galvanized pipe nipple, and brass pipe plug.
- Solid brass heads are precision machined for accurate assembly.
- Order extra length Brass Tubes below.
- Cascade Assemblies are available in special pipe tap and tube combinations. Please send your drawing.

Part Number	Mold nipple (NPT)	Pipe Tap Size (NPT)	Tube Thread Size	Brass Tube O.D.	Hex Size	"E"	"C"	"A"	"L"	Tube End Ref. "X"	Price
16N	1/8	1/16	10-32	3/16	3/4	7/32	1/2	9/32	15/16	.90	\$10.75
186N	1/8	1/8	10-32	3/16	7/8	21/64	11/16	9/32	1-11/16	1.06	10.10
181N	1/8	1/8	10-32	3/16	7/8	21/64	1	9/32	1-21/32	1.18	10.30
146N	1/4	1/8	1/4-28	1/4	1	21/64	11/16	7/32	1-11/32	1.05	10.90
146N-4	1/4	1/4	1/4-28	1/4	1	21/64	11/16	7/32	1-11/32	1.08	10.90
141N	1/4	1/8	1/4-28	1/4	1	21/64	1	7/16	1-21/32	1.44	11.10
141N-4	1/4	1/4	1/4-28	1/4	1	21/64	1	7/16	1-21/32	1.44	11.10
381N	3/8	1/8	5/16-24	5/16	1	11/32	1	13/32	1-11/16	1.44	11.90
381N-4	3/8	1/4	5/16-24	5/16	1	11/32	1	13/32	1-11/16	1.44	11.85
121N-4	1/2	1/4	7/16-20	7/16	1-1/4	13/32	1	9/16	1-13/16	1.80	19.00
341N-4	3/4	3/8	5/8-18	5/8	1-1/2	1/2	1-1/4	3/4	2-1/4	2.20	27.10

## Cascade Heads Only

- All dimensions same as above for corresponding catalog number.
- Shipped complete with brass pipe plug.
- Order Adjustable Hex Nipples, or longer length pipe nipples listed beyond.



For use with **STANDARD BRASS** Tubes

Part No.	Tube Thd. Size	Use Tube Number	Price Each
16H	10-32	187T-	\$6.40
186H	10-32	187T-	5.80
181H	10-32	187T-	6.00
146H	1/4-28	250T-	6.20
146H-4	1/4-28	250T-	6.20
141H	1/4-28	250T-	6.45
141H-4	1/4-28	250T-	6.40
381H	5/16-24	312T-	6.75
381H-4	5/16-24	312T-	6.70
121H-4	7/16-20	437T-	12.70
341H-4	5/8-18	625T-	17.00

For use with **HIGH-FLOW S.S.** Tubes

Part No.	Tube Thd. Size	Use Tube Number	Price Each
16H-HFT	1/4-28	HF187T-	\$6.65
186H-HFT	1/4-28	HF187T-	6.05
181H-HFT	1/4-28	HF187T-	6.25
146H-HFT	5/16-24	HF250T-	6.50
146H-4-HFT	5/16-24	HF250T-	6.45
141H-HFT	5/16-24	HF250T-	6.75
141H-4-HFT	5/16-24	HF250T-	6.70
381H-HFT	3/8-24	HF312T-	7.05
381H-4-HFT	3/8-24	HF312T-	7.00
121H-4-HFT	1/2-20	HF437T-	13.35

## Brass Tubes



- All tubes are threaded on one end.
- Half-hard temper for reliable performance.
- Bulk tube available.

Tube O.D.	Tube I.D.	Thread Size	Thread Length	OVERALL LENGTH "L"							
				12"		18"		24"		36"	
				Part No.	Price	Part No.	Price	Part No.	Price	Part No.	Price
.125	.062	5-44	3/16	125T-12	\$3.30	125T-18	\$3.90	125T-24	\$4.45	125T-36	\$5.25
.187	.123	10-32	3/16	187T-12	3.40	187T-18	4.05	187T-24	4.70	187T-36	5.50
.250	.170	1/4-28	1/4	250T-12	3.85	250T-18	4.65	250T-24	5.40	250T-36	6.40
.312	.210	5/16-24	5/16	312T-12	4.20	312T-18	5.35	312T-24	6.00	312T-36	7.05
.375	.273	3/8-24	3/8	375T-12	5.05	375T-18	6.05	375T-24	6.80	375T-36	8.40
.437	.307	7/16-20	7/16	437T-12	5.90	437T-18	7.60	437T-24	9.35	437T-36	11.95
.625	.495	5/8-18	5/8	625T-12	10.05	625T-18	11.95	625T-24	13.85	625T-36	17.35

**MORE LENGTHS ADDED**



# PLASTIC PROCESS EQUIPMENT, INC.

6385 Montessouri Street, Las Vegas, Nevada 89113  
 PPE WEST 702-433-6385 • 800-258-8877 • Fax: 702-433-6388

11218 Challenger Avenue, Odessa, Florida 33556  
 PPE SOUTH 727-834-8888 • 800-282-6783 • Fax: 727-834-8873

8303 CORPORATE PARK DRIVE, MACEDONIA (Cleveland), OHIO 44056, USA

www.ppe.com • e-mail: sales@ppe.com

216-367-7000 • Toll Free: 800-321-0562 • Fax: 216-367-7022 • Order Fax: 800-223-8305

Toll Free: USA, Canada & Mexico  
**800-362-0706**