



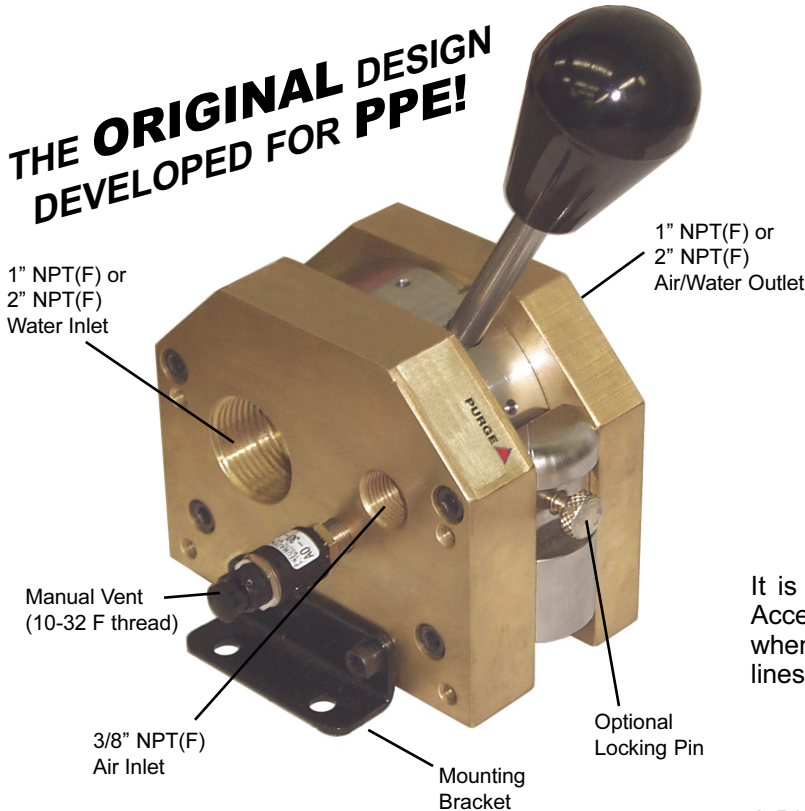
MOLD PURGING SYSTEM

A QUICK, CLEAN AND SAFE WAY TO DRAIN MOLD FLUIDS

BRASS OR ALUMINUM

The Mold Purging System makes mold changes cleaner, safer and faster by clearing the water trapped in the cooling (or heating) channels of the mold with the swing of a lever. Just switch the manual lever to the purge position and pressurized air will clear water out in seconds! And at a time when environmental concerns dictate closed loop water systems in plants, the Purging System allows the use of compressed air without compromising the integrity of the water system.

**THE ORIGINAL DESIGN
DEVELOPED FOR PPE!**



INSTALLATION:

The Mold Purge Valve should be mounted to a suitable surface using the two supplied angle brackets. Line mounting of the valve to rigid pipe is not recommended. The brackets are preinstalled at the base of the unit, but may be moved to either end of the valve body for alternate mounting positions. If brackets are located at the valve body end, be sure there is adequate clearance to move the selector handle.

A check valve (supplied) should be installed in the return line, downstream from the return manifold. The check valve will prevent fluids from backing into the mold after purging.

Attach the incoming water supply to the "Water Inlet". Attach shop air to the 3/8" NPT "Air Inlet", attach the "Air/Water Outlet" to the supply manifold. Vented air escapes from the "Manual Vent" via a 10-32 threaded opening, which can be connected to a drain tube to route residual moisture and vent air away from the floor.

FEATURES & BENEFITS

- No water spillage around the press during mold changes for personnel safety.
- Makes mold changes quick, clean & safe.
- Increases mold life by preventing rust deposits and other buildup during mold downtime.
- Molds are removed clean and dry.
- Optional locking pin available to prevent accidental activation.
- Reduce unproductive time during mold changes.
- Full port design permits maximum fluid flow with minimal pressure drop.

★ CAUTION: ALUMINUM MODELS

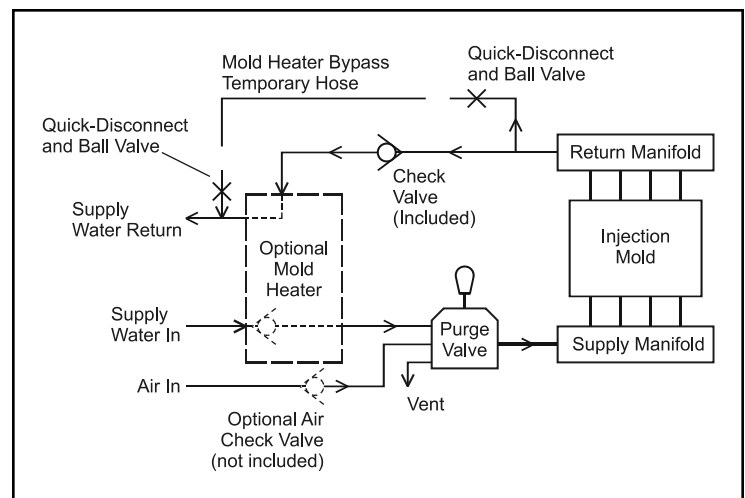
Regarding Galvanic Corrosion

It is strongly recommended that a Dielectric Fitting (see Accessories and Parts) is purchased for use with this valve when copper or brass piping is present in the water circulating lines. Galvanic corrosion can occur in the presence of:

- more noble metals
- electrolytic connection
- water treatment with copper or bleach
- elevated water temperatures.

A Dielectric Fitting breaks the electrical connection between dissimilar metals helping reduce the incidence of galvanic corrosion.

TYPICAL INSTALLATION SCHEMATIC



PLASTIC PROCESS EQUIPMENT, INC.

www.ppe.com • e-mail: sales@ppe.com

PPE WEST 6385 Montessouri Street, Las Vegas, Nevada 89113
702-433-6385 • 800-258-8877 • Fax: 702-433-6388

PPE SOUTH 11218 Challenger Avenue, Odessa, Florida 33556
727-834-8888 • 800-282-6783 • Fax: 727-834-8873

8303 CORPORATE PARK DRIVE, MACEDONIA (Cleveland), OHIO 44056, USA

216-367-7000 • Toll Free: 800-321-0562 • Fax: 216-367-7022 • Order Fax: 800-223-8305

Toll Free: USA, Canada & Mexico
800-362-0706