



# SWIVEL TYPE WATER JUMPERS

## FOR LOW PROFILE WATER CONNECTIONS

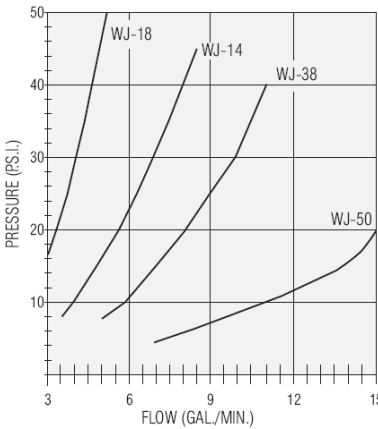
- Can be fully recessed to prevent accidental disconnect or damage.
- Swivel body allows for installation in tight spaces.
- Eliminate crimped hoses and setup errors.
- Viton O-ring seals.
- All brass construction.
- Easy hex key installation.



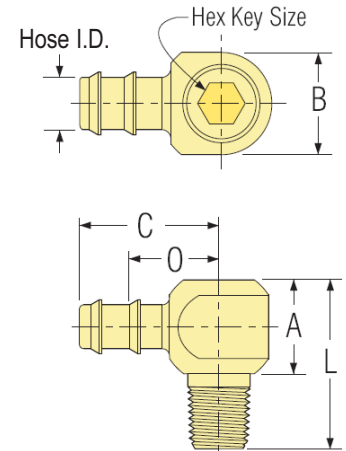
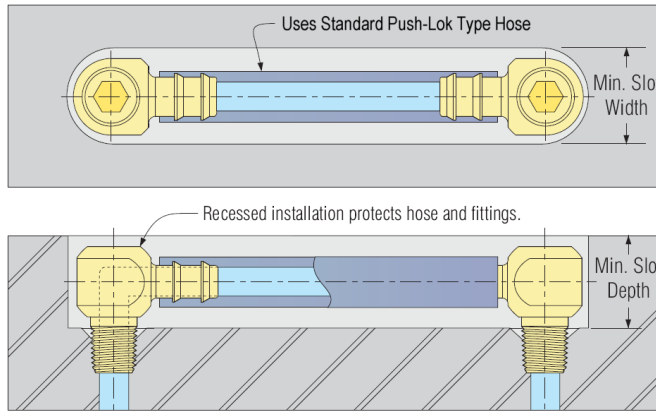
Heavy duty hex key socket allows maximum torque and positive removal.

Adjustable thread for perfect positioning.

Approx. Flow Data



Installation Guidelines for Swivel Water Jumpers



PART NO.	PIPE SIZE NPT	HOSE I.D.	HEX KEY SIZE	DIMENSIONS					FOR RECESSED INSTALLATION		PRICE EACH
				OVERALL LENGTH	HEAD HEIGHT	HEAD WIDTH	HOSE BARB LENGTH	DISTANCE TO FIRST BARB	MIN. SLOT WIDTH	MIN. SLOT DEPTH	
				L	A	C	O	B			
WJ18-S	1/8"	5/16"	3/16"	1-3/16"	11/16"	1"	5/8"	.660"	11/16"	1"	\$8.85
WJ18-M	1/8"	5/16"	3/16"	2"	11/16"	1"	5/8"	.660"	11/16"	1"	\$9.50
WJ18-L	1/8"	5/16"	3/16"	3-1/2"	11/16"	1"	5/8"	.660"	11/16"	1"	\$10.15
WJ14-S	1/4"	3/8"	1/4"	1-7/16"	13/16"	1-3/16"	25/32"	.840"	7/8"	1-3/16"	\$10.30
WJ14-M	1/4"	3/8"	1/4"	2-3/8"	13/16"	1-3/16"	25/32"	.840"	7/8"	1-3/16"	\$10.95
WJ14-L	1/4"	3/8"	1/4"	3-7/8"	13/16"	1-3/16"	25/32"	.840"	7/8"	1-3/16"	\$11.65
WJ38-S	3/8"	1/2"	5/16"	1-5/8"	1"	1-3/8"	15/16"	.980"	1"	1-3/8"	\$11.55
WJ38-M	3/8"	1/2"	5/16"	2-5/8"	1"	1-3/8"	15/16"	.980"	1"	1-3/8"	\$12.30
WJ38-L	3/8"	1/2"	5/16"	4-1/8"	1"	1-3/8"	15/16"	.980"	1"	1-3/8"	\$13.00
WJ50-S	1/2"	3/4"	3/8"	2"	1-1/8"	1-1/2"	1-1/8"	1.235"	1-1/4"	1-9/16"	\$13.20
WJ50-M	1/2"	3/4"	3/8"	3"	1-1/8"	1-1/2"	1-1/8"	1.235"	1-1/4"	1-9/16"	\$14.30
WJ50-L	1/2"	3/4"	3/8"	4-1/2"	1-1/8"	1-1/2"	1-1/8"	1.235"	1-1/4"	1-9/16"	\$15.35



### PLASTIC PROCESS EQUIPMENT, INC.

8303 CORPORATE PARK DRIVE  
MACEDONIA, OHIO 44056  
216-367-7000 • FAX: 216-367-7022  
TOLL FREE: 800-321-0562

6385 MONTESSOURI STREET  
LAS VEGAS, NEVADA 89113  
702-433-6385 • FAX: 702-433-6388  
TOLL FREE: 800-258-8877

www.ppe.com

e-mail: sales@ppe.com

Toll Free: USA, Canada & Mexico

**800-362-0706**

Order Fax: 800-223-8305