



# BRASS BALL VALVES

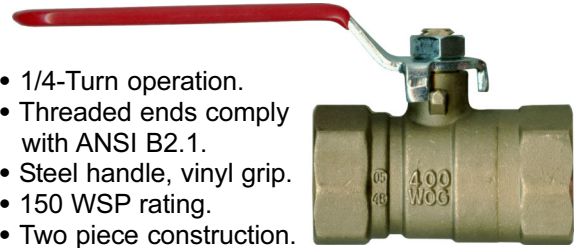
**GOOD QUALITY  
BUDGET PRICED!**

The Budget Brass Ball Valves are ideal for normal flow applications requiring 2-piece body construction.

As in all Budget Brass Ball Valves, bottom loaded pressure retaining stems and packing nuts thread to the body to provide an extra margin of safety.

## FEATURES

- Standard port for normal flow.
- Bottom loaded stem.
- Packing nut threaded to body.
- Chrome plated brass ball.
- 400 WOG rating.
- 1/4-Turn operation.
- Threaded ends comply with ANSI B2.1.
- Steel handle, vinyl grip.
- 150 WSP rating.
- Two piece construction.
- PTFE seats & seals.
- Temp. rating 300° F max.



## FEMALE X FEMALE

SIZE	CV RATING*	PORT SIZE DIAMETER	PART NO.	PRICES	
				1-9	10+
1/4"	10.8	25/64" (.391)	BBV-14	\$5.40	\$5.20
3/8"	10.8	25/64" (.391)	BBV-38	\$5.40	\$5.20
1/2"	10.8	25/64" (.391)	BBV-12	\$5.25	\$5.05
3/4"	23.5	19/32" (.594)	BBV-34	\$7.05	\$6.75
1"	43.9	25/32" (.781)	BBV-10	\$10.10	\$9.75
1-1/4"	48.0	1" (.980)	BBV-114	\$18.85	\$18.20
1-1/2"	70.0	1-1/4" (1.260)	BBV-112	\$26.85	\$25.80

## MALE X FEMALE

SIZE	CV RATING*	PORT SIZE DIAMETER	PART NO.	PRICES	
				1-9	10+
1/4"	6.0	3/8" (.380)	BBV-1414	\$5.65	\$5.40
3/8"	6.0	3/8" (.380)	BBV-3838	\$5.65	\$5.40
1/2"	8.0	3/8" (.380)	BBV-1212	\$5.95	\$5.60
3/4"	20.0	19/32" (.590)	BBV-3434	\$9.10	\$8.80
1"	26.0	3/4" (.750)	BBV-1010	\$14.30	\$13.75
1-1/4"	48.0	1" (.980)	BBV-11414	\$21.60	\$20.75
1-1/2"	70.0	1-1/4" (1.260)	BBV-11212	\$32.55	\$31.40

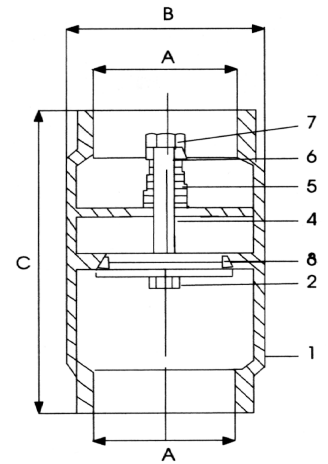


# BRASS IN-LINE CHECK VALVES

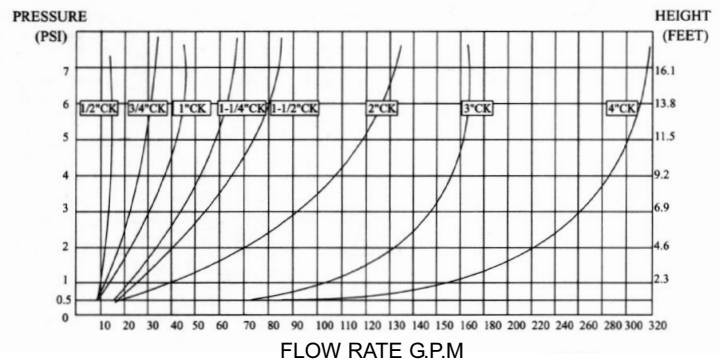
## S.S. SPRING LOADED BRONZE POPPET

For positive sealing & self-cleaning  
Ensures against leakage.

- -4° to 248°F Temperature Range
- 200 psi WOG; 125 psi SATURATED STEAM
- Corrosion resistant material
- Cast Red Brass body
- S.S. Spring
- Neoprene O-ring Seal
- Can be used vertically or horizontally
- Individually boxed
- Hydraulic Burst test result: 232 Kg/cm<sup>2</sup>



BRASS CHECK VALVE (inches)					
Size	Part No.	Price	A NPT	B	C
1/4"	CV14	\$5.85	1/4"	1.26	2.28
3/8"	CV38	\$6.15	3/8"	1.50	2.28
1/2"	CV12	\$5.40	1/2"	1.77	2.43
3/4"	CV34	\$7.45	3/4"	2.13	2.72
1"	CV10	\$7.60	1"	2.36	3.23
1-1/4"	CV114	\$13.95	1-1/4"	3.03	3.62
1-1/2"	CV112	\$18.45	1-1/2"	4.21	4.04
2"	CV20	\$26.05	2"	5.51	5.04



## PLASTIC PROCESS EQUIPMENT, INC.

www.ppe.com • e-mail: sales@ppe.com

**PPE WEST** 6385 Montessouri Street, Las Vegas, Nevada 89113  
702-433-6385 • 800-258-8877 • Fax: 702-433-6388

**PPE SOUTH** 11218 Challenger Avenue, Odessa, Florida 33556  
727-834-8888 • 800-282-6783 • Fax: 727-834-8873

8303 CORPORATE PARK DRIVE, MACEDONIA (Cleveland), OHIO 44056, USA

Toll Free: USA, Canada & Mexico

216-367-7000 • Toll Free: 800-321-0562 • Fax: 216-367-7022 • Order Fax: 800-223-8305

**800-362-0706**