



TRIPLE BEAM BALANCE AND QUICK READING DIAL-O-GRAM SCALES



TRIPLE BEAM BALANCE SCALE METRIC



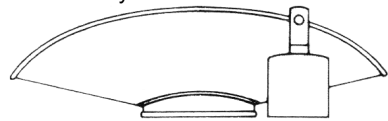
FEATURES Triple Beam:

- Three notched & tiered beams with center reading, sliding poises.
- Spring loaded zero adjust compensator.
- Magnetic damping for quick reading.
- Contoured base for weight storage.

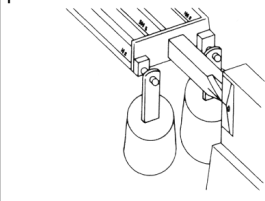
SPECIFICATIONS:

- CAPACITY 2610 g
- SENSITIVITY 0.1 g
- CALIBRATIONS
FRONT BEAM 10 g x 0.1 g
CENTER BEAM 500 g x 100 g
REAR BEAM 100 g x 10 g

Footed Scoop and Counterweight
Convert flat plate or pan balance to scoop balance. On Triple Beam Balance counterweight on attachment weight pivot does limit total balance capacity to 1610 g. Scoop is available in stainless steel with foot attached or in polypropylene which is molded with integral fins to stand on any flat surface.



Attachment Weights
Capacity of Triple Beam Balance is expanded from 610g to 2610g by suspending attachment weights from pivots on beam end.



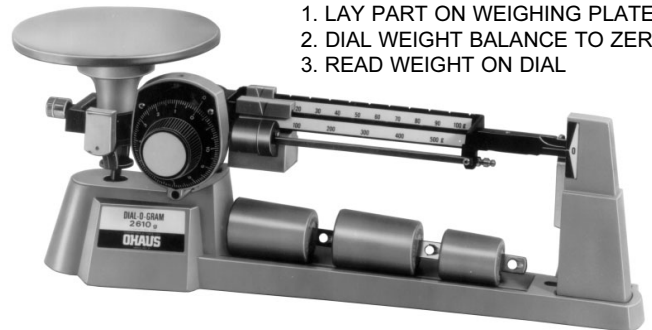
PART NO.	DESCRIPTION	PRICE
750S	TRIPLE BEAM BALANCE SCALE (less weights)	\$163.45
703-S	FLAT BOTTOM STAINLESS STEEL SCOOP WITH WEIGHT 12" X 6" X 2-3/4"	\$130.20
703	POLYPROPYLENE FOOTED SCOOP WITH WEIGHT 12" X 6" X 2-3/4"	\$48.45
706	VINYL DUST COVER	\$34.00
707	METRIC WEIGHT SET: TWO 1,000g, ONE 500g	\$91.35

DIAL-O-GRAM SCALE

FOR FASTER AND MORE ACCURATE WEIGHING OF YOUR MOLDED PARTS

IT'S AS EASY AS:

1. LAY PART ON WEIGHING PLATE
2. DIAL WEIGHT BALANCE TO ZERO
3. READ WEIGHT ON DIAL

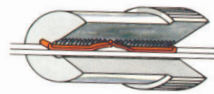


FEATURES Dial-O-Gram:

- Direct reading engraved dial.
- 6" Diameter stainless steel flat plate.
- Two graduated notched beams with center indicating sliding poise.
- Undivided tare beam with patented sliding poise. Rotates for fine adjustments.
- Magnetic damping for speedier weighing.
- Elliptical spindles and check pins.
- Enclosed, self-aligning agate bearings.
- Precision ground knives
- Spring loaded zero adjust compensator.
- Die cast aluminum box and beam.

SPECIFICATIONS:

- CAPACITY 2610 g
- SENSITIVITY 0.1 g
- CALIBRATIONS
FRONT BEAM 500 g x 100 g
REAR BEAM 100 g x 10 g
TARE 225 g
DIAL 0.1 g grads.



Undivided Tare Beam and Poise*
allows weight container to be eliminated from calculations, thus speeding operations. The Poise is internally threaded and contains a flat spring which permits it to slide along the beam for rough taring and rotate for fine adjustment.

*Patented

PART NO.	DESCRIPTION	PRICE
1650	DIAL-O-GRAM SCALE (less weights)	\$289.00
1650W	DIAL-O-GRAM SCALE (w/707 weights)	\$337.25
1078-03	FLAT BOTTOM STAINLESS STEEL SCOOP 12" x 6" x 2-3/4"	\$71.35
1101-20	FOOTED POLYPROPYLENE SCOOP 12" x 6" x 2-3/4"	\$37.70
706	VINYL DUST COVER	\$34.00
707	METRIC WEIGHT SET: TWO 1000g, ONE 500g	\$91.35
3135-10	100 GRAM REAR POISE	\$10.75



PLASTIC PROCESS EQUIPMENT, INC.

www.ppe.com • e-mail: sales@ppe.com

6385 Montessouri Street, Las Vegas, Nevada 89113
PPE WEST 702-433-6385 • 800-258-8877 • Fax: 702-433-6388

11218 Challenger Avenue, Odessa, Florida 33556
PPE SOUTH 727-834-8888 • 800-282-6783 • Fax: 727-834-8873

8303 CORPORATE PARK DRIVE, MACEDONIA (Cleveland), OHIO 44056, USA

Toll Free: USA, Canada & Mexico
800-362-0706

PPE 216-367-7000 • Toll Free: 800-321-0562 • Fax: 216-367-7022 • Order Fax: 800-223-8305