



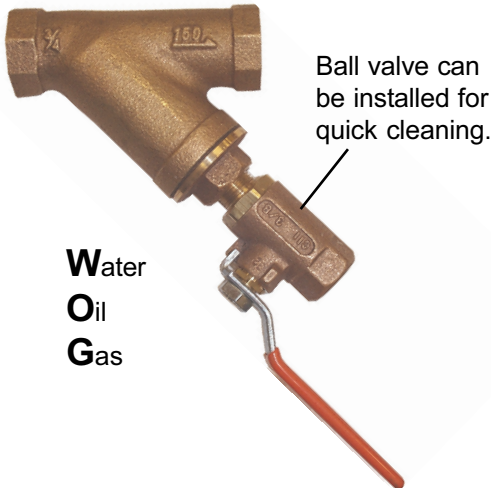
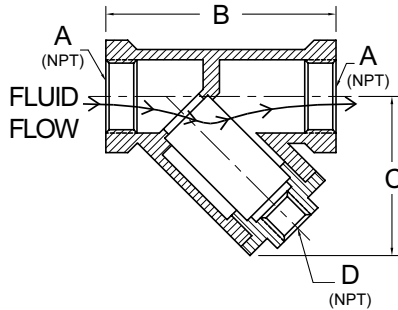
BRONZE Y-STRAINERS

FOR MAXIMUM PROTECTION AGAINST FOREIGN PARTICLES

FEATURES

- HEAVY DUTY CAST BRONZE BODY.
- CAP IS THREADED AND GASKETED.
- BRASS BLOW-OFF OUTLET.
- Y-PATTERN BODY.
- SELF-ALIGNING SCREEN.
- TAPPED DRAIN PLUG OPENING IN CAP.
- TYPE 304 STAINLESS SCREEN #20 MESH.
- 150 PSI SATURATED STEAM.
- 300 PSI WOG NON-SHOCK.
- SELF-CLEANING.
- NON-ASBESTOS GASKET.

The PPE Y-Pattern Strainer offers maximum protection against foreign particles in piping systems and process equipment. The heavy duty cast bronze body and #20 mesh stainless steel screen are completely corrosion resistant. Protects regulators, pumps, meters, and other controls from damage due to sediment scale, metal chips, or other foreign materials. The bronze retainer cap is tapped and plugged for easy removal. Self-cleaning can be accomplished by opening the valve or plug connected to the blow-off outlet.



BRONZE Y-STRAINERS

PART NO.	A THREAD SIZE	B (INCH)	C (INCH)	D PLUG (NPT)	PRICES	
					1-5	6+
YS14	1/4"	2.60	1.89	1/4"	\$10.25	\$9.80
YS38	3/8"	2.60	1.89	1/4"	9.70	9.30
YS12	1/2"	3.13	2.28	1/4"	10.50	10.05
YS34	3/4"	3.43	2.36	1/4"	14.95	14.30
YS1	1"	4.09	2.83	3/8"	22.20	21.30
YS114	1-1/4"	4.90	3.23	3/8"	36.90	35.35
YS112	1-1/2"	5.59	3.74	1/2"	44.95	43.00
YS2	2"	6.69	4.72	1/2"	73.75	70.60

SPARE SCREENS

FITS MODEL	OLD STYLE			INTERIM STYLE			CURRENT STYLE			PRICE EACH
	PART NO.	LENGTH	O.D.	PART NO.	LENGTH	O.D.	PART NO.	LENGTH	O.D.	
YS14	MYS14S	1.503	.645	n/a	n/a	n/a	YS14S	1.505	.624	\$1.53
YS38	MYS38S	1.503	.640	n/a	n/a	n/a	YS38S	1.510	.624	1.53
YS12	MYS12S	1.962	.754	n/a	n/a	n/a	YS12S	1.988	.754	1.53
YS34	MYS34S	1.504	.878	YS34SC	1.593	.796	YS34S	1.507	.870	2.25
YS1	MYS10S	2.124	1.118	YS10SC	1.955	1.024	YS10S	2.095	1.099	2.90
YS114	MYS114S	2.049	1.245	YS114SC	1.969	1.300	YS114S	2.634	1.353	3.45
YS112	MYS112S	2.960	1.684	YS112SC	2.235	1.535	YS112S	2.957	1.670	4.60
YS2	MYS20S	4.024	2.007	YS20SC	2.737	2.003	YS20S	4.034	2.127	7.75



PLASTIC PROCESS EQUIPMENT, INC.

www.ppe.com • e-mail: sales@ppe.com

6385 Montessouri Street, Las Vegas, Nevada 89113
PPE WEST 702-433-6385 • 800-258-8877 • Fax: 702-433-6388

11218 Challenger Avenue, Odessa, Florida 33556
PPE SOUTH 727-834-8888 • 800-282-6783 • Fax: 727-834-8873

8303 CORPORATE PARK DRIVE, MACEDONIA (Cleveland), OHIO 44056, USA

216-367-7000 • Toll Free: 800-321-0562 • Fax: 216-367-7022 • Order Fax: 800-223-8305

Toll Free: USA, Canada & Mexico
800-362-0706