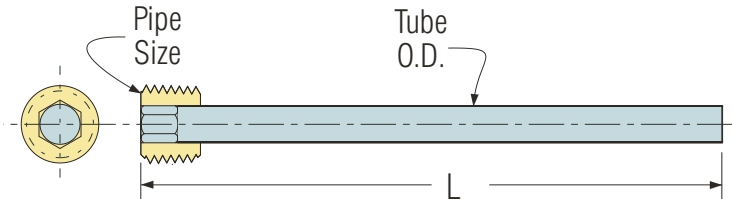
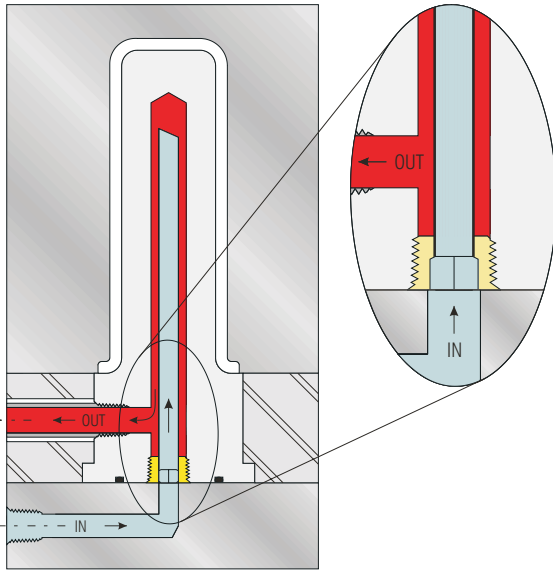
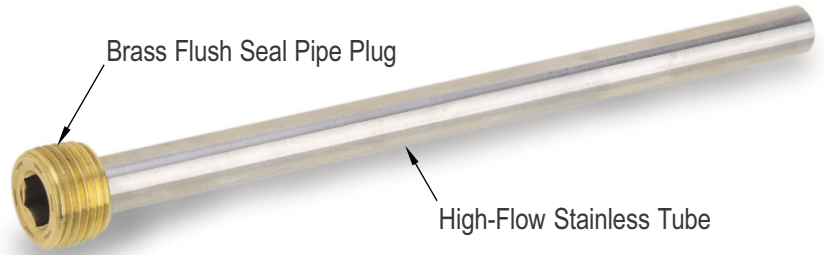




PISTON TUBES

Coolant flows through the hex socket Brass Flush Seal Pipe Plug and High-Flow Stainless Steel Tube providing maximum cooling rates.

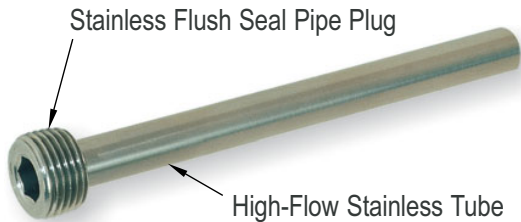
- Precision brazed assembly provides high strength and reliable performance.



Pipe Size (NPT)	Tube O.D.	Tube I.D.	OVERALL LENGTH "L"							
			12"		24"		36"		48"	
			Part No.	Price	Part No.	Price	Part No.	Price	Part No.	Price
1/16"	.125	.109	PT16-12	\$8.50	PT16-24	\$9.70	PT16-36	\$10.90	PT16-48	\$12.15
1/8"	.187	.167	PT18-12	\$8.50	PT18-24	\$9.70	PT18-36	\$10.90	PT18-48	\$12.15
1/4"	.250	.230	PT14-12	\$9.00	PT14-24	\$10.20	PT14-36	\$11.40	PT14-48	\$12.60
3/8"	.375	.345	PT38-12	\$9.35	PT38-24	\$10.50	PT38-36	\$11.70	PT38-48	\$12.95
1/2"	.375	.345	PT12-12	\$9.70	PT12-24	\$10.90	PT12-36	\$12.15	PT12-48	\$13.30
3/4"	.437	.407	PT34-12	\$15.55	PT34-24	\$16.65	PT34-36	\$17.70	PT34-48	\$18.65



PIPE PLUG STYLE HIGH-FLOW TUBES ALL STAINLESS STEEL



Coolant flows through the Stainless Steel Flush Seal Pipe Plug and High-Flow Stainless Steel Tube providing maximum cooling rates.

- Stainless Flush-Seal Pipe Plug standard. Other sizes and materials are available.
- All Stainless Steel construction provides high strength and reliable performance.

Pipe Size (NPT)	Tube O.D.	Tube I.D.	OVERALL LENGTH "L"							
			12"		24"		36"		48"	
			Part No.	Price	Part No.	Price	Part No.	Price	Part No.	Price
1/16"	.072	.060	PT16-072-12	\$8.90	PT16-072-24	\$10.20	PT16-072-36	\$11.45	PT16-072-48	\$12.75
	.090	.076	PT16-093-12	\$8.90	PT16-093-24	\$10.20	PT16-093-36	\$11.45	PT16-093-48	\$12.75
	.125	.109	PT16-125-12	\$8.90	PT16-125-24	\$10.20	PT16-125-36	\$11.45	PT16-125-48	\$12.75
	.187	.167	PT16-187-12	\$8.90	PT16-187-24	\$10.20	PT16-187-36	\$11.45	PT16-187-48	\$12.75
1/8"	.125	.109	PT18-125-12	\$8.90	PT18-125-24	\$10.20	PT18-125-36	\$11.45	PT18-125-48	\$12.75
	.187	.167	PT18-187-12	\$8.90	PT18-187-24	\$10.20	PT18-187-36	\$11.45	PT18-187-48	\$12.75
1/4"	.187	.167	PT14-187-12	\$9.45	PT14-187-24	\$10.70	PT14-187-36	\$12.00	PT14-187-48	\$13.25
	.250	.230	PT14-250-12	\$9.45	PT14-250-24	\$10.70	PT14-250-36	\$12.00	PT14-250-48	\$13.25
3/8"	.312	.288	PT38-312-12	\$9.80	PT38-312-24	\$11.05	PT38-312-36	\$12.30	PT38-312-48	\$13.60
	.365	.340	PT38-375-12	\$9.80	PT38-375-24	\$11.05	PT38-375-36	\$12.30	PT38-375-48	\$13.60
1/2"	.365	.340	PT12-375-12	\$10.20	PT12-375-24	\$11.45	PT12-375-36	\$12.75	PT12-375-48	\$14.00
	.427	.397	PT12-437-12	\$10.20	PT12-437-24	\$11.45	PT12-437-36	\$12.75	PT12-437-48	\$14.00
	.500	.444	PT12-500-12	\$11.35	PT12-500-24	\$13.75	PT12-500-36	\$16.15	PT12-500-48	\$18.60
3/4"	.427	.397	PT34-437-12	\$16.30	PT34-437-24	\$17.45	PT34-437-36	\$18.50	PT34-437-48	\$19.60
	.500	.444	PT34-500-12	\$17.70	PT34-500-24	\$18.95	PT34-500-36	\$20.10	PT34-500-48	\$21.45
	.625	.569	PT34-625-12	\$19.10	PT34-625-24	\$20.45	PT34-625-36	\$21.65	PT34-625-48	\$23.30



PLASTIC PROCESS EQUIPMENT, INC.
EAST 8303 CORPORATE PARK DRIVE
 MACEDONIA, OHIO 44056
 216-367-7000 • FAX: 216-367-7022
 TOLL FREE: 800-321-0562

WEST 6385 MONTESSOURI STREET
 LAS VEGAS, NEVADA 89113
 702-433-6385 • FAX: 702-433-6388
 TOLL FREE: 800-258-8877

www.ppe.com
 e-mail: sales@ppe.com

Toll Free: USA, Canada & Mexico
800-362-0706

Order Fax: 800-223-8305