



SMARTLOCK®

SLIDE RETAINER AND LIMIT SWITCH



GENERAL DESCRIPTION

SMARTLOCK® slide retainer and limit switch is designed for injection molders to provide switching plus slide retaining in one unique package. The **SMARTLOCK®** locking function prevents premature slide movement during molded ejection while the slide SPDT switch is simultaneously actuated. The **SMARTLOCK®** slide retainer and limit switch has been tested for reliability in over 10 million cycles without failure. Two or more switches may be used for larger molds, or molds with multiple slides.

OPERATION

Installed in the slide, the plunger moves into a recess in the locking plate of the switch assembly, which is installed in the mold plate. The switch actuator, located in the bottom of the recess, closes the normally open switch contacts when the plunger is seated in the locking plate recess. When the break away force is applied to the slide, the lock is released, and the switch returns to its normal state.



SPECIFICATIONS

Electrical

250VAC	7 Amps resistive
	4 Amps inductive
28VDC (sea level)	7 Amps resistive
	4 Amps inductive
Switching	SPDT

Operating Temperature

Standard Model SL-222	196°F max.
	(91°C max.)
High Temp Model SL-291	250°F max.
	(121°C max.)

MATERIALS

Body	Fiberglass-reinforced nylon
Locking Plate	Hardened Steel
Locking Plunger Assembly	Hardened Steel
Wire Leads	22 ga. stranded, 3-conductor, shielded cable, 6 ft. (1.8m) long, ends stripped and tinned

PARTS INCLUDED

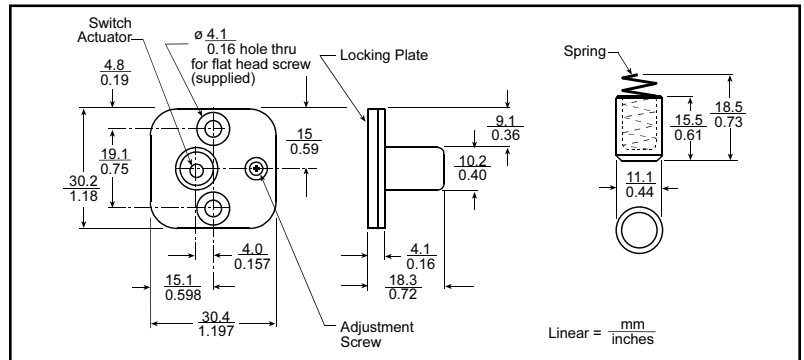
- (1) Switch Assembly
- (1) Locking Plunger Assembly
- (2) Switch Mounting Screws
- (2) Wire Clamp Screws
- (2) Wire Clamps
- (1) Instruction Sheet

PART NO.	MODEL	PRICE	
		1-4	5+
SL-222	Standard Temp.	\$125.00	\$120.00
SL-291	High Temp.	136.50	131.00

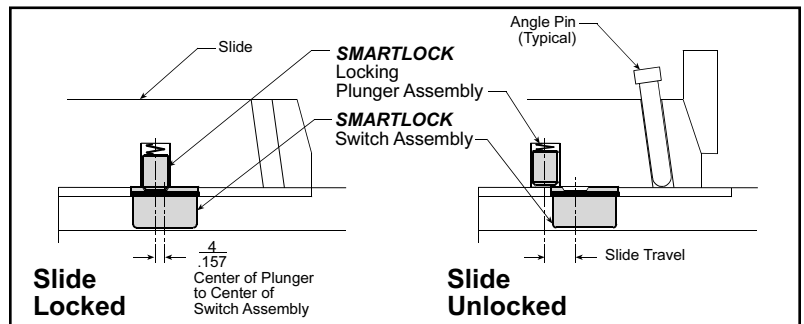
FEATURES AND BENEFITS

- **Over 10 million cycle life** provides long dependable service.
- **25 pound holding force:** adjustable for optimum operation.
- **175°F (79.4°C) standard temperature rating** allows installation into most molding applications.
- **250°F (121°C) high temperature unit** is available for higher temperature needs.
- **Superior flush mount switch** shielded from damage by mounting inside a protective milled pocket.
- **Stripped and tinned 6 ft. wire leads** make the switch ready to install without modification.
- **Included mounting screws and wire clips** help install the **SMARTLOCK®** switch neatly and easily.

DIMENSIONS



SAMPLE APPLICATION



PLASTIC PROCESS EQUIPMENT, INC.

www.ppe.com • e-mail: sales@ppe.com

6385 Montessouri Street, Las Vegas, Nevada 89113
 PPE WEST 702-433-6385 • 800-258-8877 • Fax: 702-433-6388

11218 Challenger Avenue, Odessa, Florida 33556
 PPE SOUTH 727-834-8888 • 800-282-6783 • Fax: 727-834-8873

8303 CORPORATE PARK DRIVE, MACEDONIA (Cleveland), OHIO 44056, USA

Toll Free: USA, Canada & Mexico
800-362-0706

216-367-7000 • Toll Free: 800-321-0562 • Fax: 216-367-7022 • Order Fax: 800-223-8305