



# MOLD WATER JUMPER FITTINGS

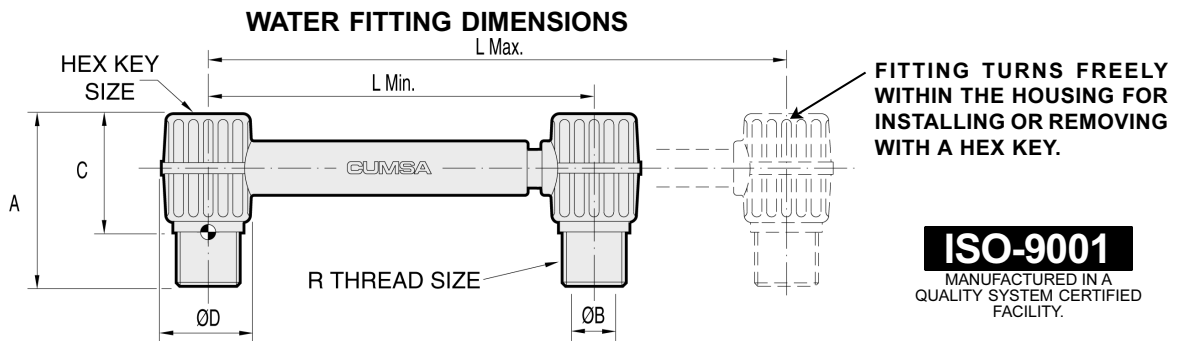
## LOW PROFILE DESIGN ELIMINATES CLEARANCE PROBLEMS

### FEATURES & SPECS:

- Replaces annoying hoses and messy fluid lines.
- Quick, easy installation.
- Reduces the space required by the mold
- Allows 80% of straight-thru flow.
- Maximum pressure: 87 p.s.i. (6 bars)
- Temperature Range: 33°F to 176°F
- Color: Black
- Can be used with water or Ethylene Glycol
- Telescopes to length required.

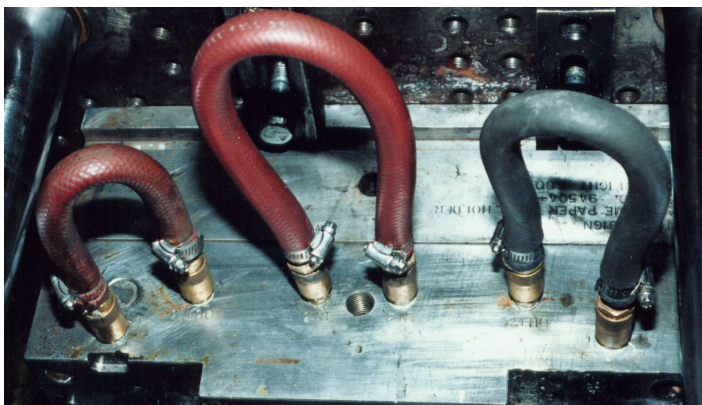


CUMSA



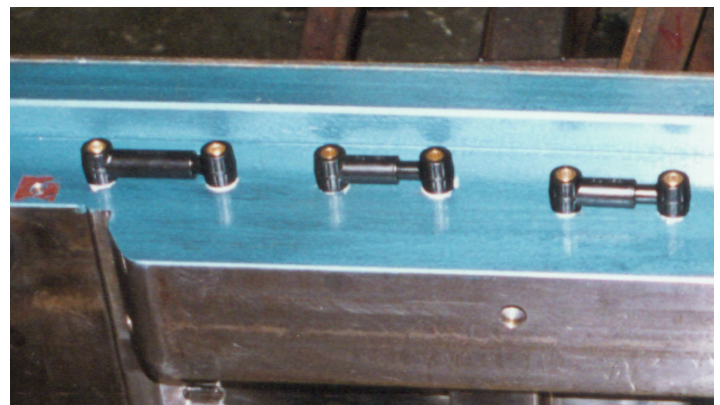
Mold Water Fittings are constructed of Polyoxymethylene (POM), an Acetal Resin, which provides good fatigue life, low moisture sensitivity and high solvent and chemical resistance. In addition, Acetal resins are among the strongest of all thermoplastics.

PART NO.	R THREAD	ØB	L MIN.	L. MAX	A	ØD	C	HEX KEY SIZE	PRICES	
									1-9	10+
WF1852D	1/8" NPT	0.24"	3.94"	5.12"	1.30"	0.79"	0.94"	4 mm	\$21.80	\$20.80
WF1879D	1/8" NPT	0.24"	5.12"	7.87"	1.30"	0.79"	0.94"	4 mm	21.80	20.80



THIS?

OR



THIS?



## PLASTIC PROCESS EQUIPMENT, INC.

www.ppe.com • e-mail: sales@ppe.com

**PPE WEST** 6385 Montessouri Street, Las Vegas, Nevada 89113  
702-433-6385 • 800-258-8877 • Fax: 702-433-6388

**PPE SOUTH** 11218 Challenger Avenue, Odessa, Florida 33556  
727-834-8888 • 800-282-6783 • Fax: 727-834-8873

8303 CORPORATE PARK DRIVE, MACEDONIA (Cleveland), OHIO 44056, USA

216-367-7000 • Toll Free: 800-321-0562 • Fax: 216-367-7022 • Order Fax: 800-223-8305

Toll Free: USA, Canada & Mexico  
**800-362-0706**