



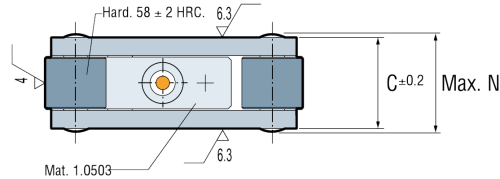
PLATE ACCELERATOR CUMSA

MECHANICAL DOUBLE EJECTION SYSTEM

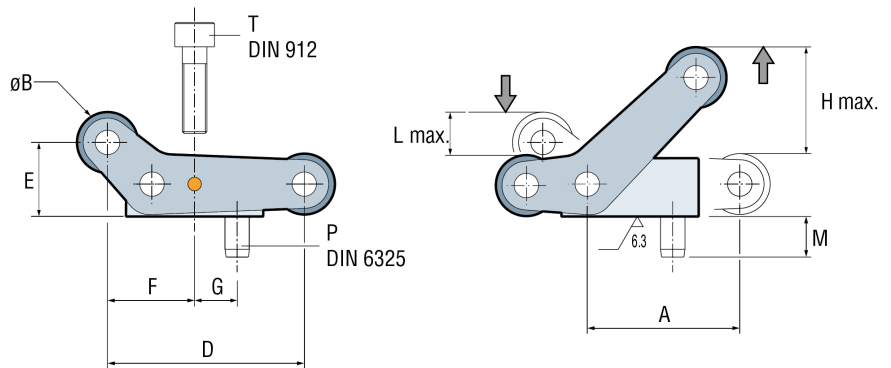
FEATURES

- Allows increased movement of a second ejector plate within a normal ejector stroke.
- Simple mechanical double ejection system is much less complex than competitive systems.
- Minimal space required for installation.
- Socket head cap screw included.
- Material: 1.2150 Alloy Steel
Hardness: 55 ±2 Rc

ISO-9001
MANUFACTURED IN A
QUALITY SYSTEM CERTIFIED
FACILITY.



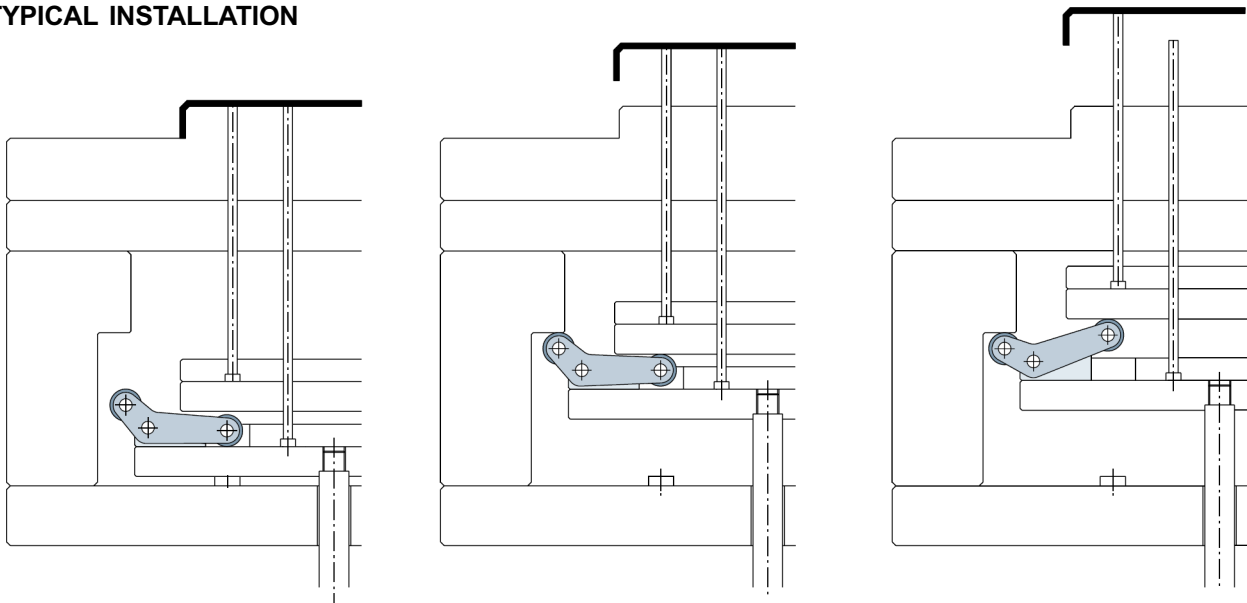
Part No.	Price
EP200813	\$89.00
EP251016	93.00
EP371522	104.50
EP502030	112.00



DIMENSIONS (shown in mm)

Part No.	A	B	C	D	E	F	G	H max.	L max.	M	N	P	T	Max. Force
EP200813	20	8	13.2	25.8	9.4	11.4	6	13.6	5.5	5	15	Ø2.5x10	M3x12	125 kg.
EP251016	25	10	16	32.3	11.8	14.3	7	17	6.8	6	18.5	Ø3x12	M4x16	250 Kg.
EP371522	37.5	15	22	48.5	17.7	21.5	10.5	25.5	10.2	8	25	Ø4x16	M6x25	350 Kg.
EP502030	50	20	30	64.6	23.6	28.6	14	34	13.6	10	34	Ø5x20	M8x30	800 Kg.

TYPICAL INSTALLATION



PLASTIC PROCESS EQUIPMENT, INC.

www.ppe.com • e-mail: sales@ppe.com

PPE WEST 6385 Montessouri Street, Las Vegas, Nevada 89113
702-433-6385 • 800-258-8877 • Fax: 702-433-6388

PPE SOUTH 11218 Challenger Avenue, Odessa, Florida 33556
727-834-8888 • 800-282-6783 • Fax: 727-834-8873

8303 CORPORATE PARK DRIVE, MACEDONIA (Cleveland), OHIO 44056, USA

Toll Free: USA, Canada & Mexico
800-362-0706

PPE 216-367-7000 • Toll Free: 800-321-0562 • Fax: 216-367-7022 • Order Fax: 800-223-8305