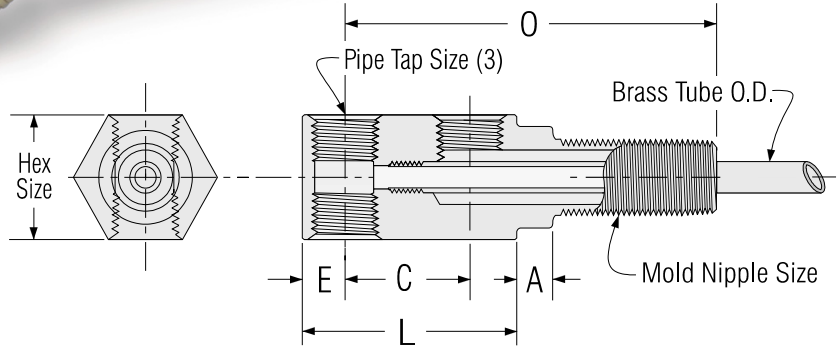
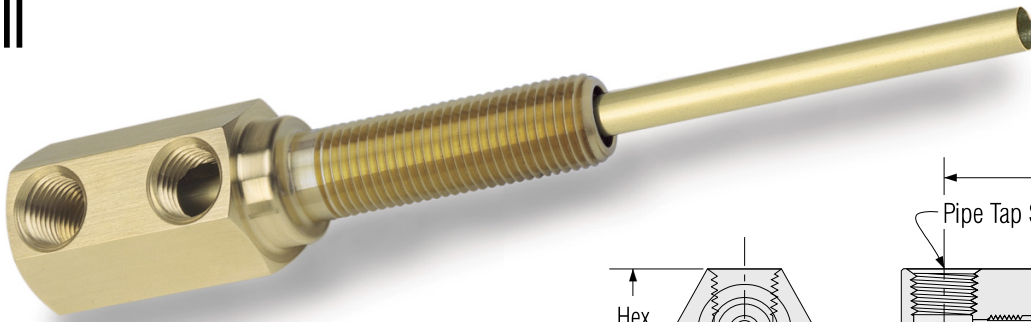




One Piece Cascade Assemblies



- Having no loose pipe nipple, these water junctions are especially suited for internal mold installation.
- One piece brass construction simplifies installation and ensures positive cooling line connections.
- Assemblies include brass head and 13" high flow brass tube.

Part Number	Mold Nipple (NPT)	Pipe Tap Size (NPT)	Brass Tube O.D.	Hex Size	"E"	"C"	"A"	"L"	"O"	Price
C16	1/8	1/16	3/16	3/4	7/32	1/2	3/16	15/16	2-1/2	\$12.95
C186	1/8	1/8	3/16	7/8	21/64	11/16	7/32	1-11/3	2-15/1	11.50
C181	1/8	1/8	3/16	7/8	21/64	1	7/32	1-21/3	3-1/4	11.50
C121-4	1/2	1/4	3/8	1-1/4	13/32	1	7/32	1-13/1	3-19/3	21.50



PIPE CHECK THREAD GAUGE

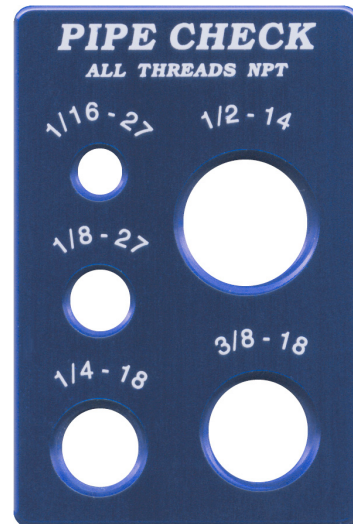
THREE FUNCTIONS: ¹CHECKS THREAD SIZES, ²PITCH SIZES, ³LENGTHS OF THREADS

It's a GO/NO GO Gauge for National Pipe Threads.

Checks five common pipe sizes

Here is how it works:

Pipe Check is an easy way to check pipe threads. This handy tool can check pipe thread sizes from 1/16" thru 1/2" N.P.T.. The NPT4 gauge is a precision measuring tool made of heavy aluminum and is used to simply identify pipe thread sizes. It verifies proper pitch diameter and length of thread. Simply turn pipe thread into the correct size hole until snug. If the thread is to specifications it should reach flush to the back of the gauge. If the thread sticks out the back of the gauge, then the thread is undersized.



FRONT
HELPS AVOID ORDERING MISTAKES

Part No. NPT4 \$13.50 ea.



PLASTIC PROCESS EQUIPMENT, INC.

www.ppe.com • e-mail: sales@ppe.com

6385 Montessouri Street, Las Vegas, Nevada 89113
PPE WEST 702-433-6385 • 800-258-8877 • Fax: 702-433-6388

11218 Challenger Avenue, Odessa, Florida 33556
PPE SOUTH 727-834-8888 • 800-282-6783 • Fax: 727-834-8873

8303 CORPORATE PARK DRIVE, MACEDONIA (Cleveland), OHIO 44056, USA

216-367-7000 • Toll Free: 800-321-0562 • Fax: 216-367-7022 • Order Fax: 800-223-8305

Toll Free: USA, Canada & Mexico
800-362-0706