

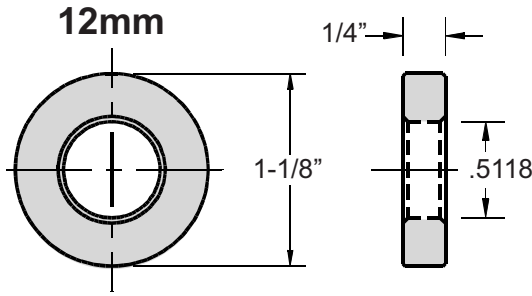


# METRIC HEAVY DUTY WASHERS

4140 STEEL  
HEAT TREATED  
40-46 Rc

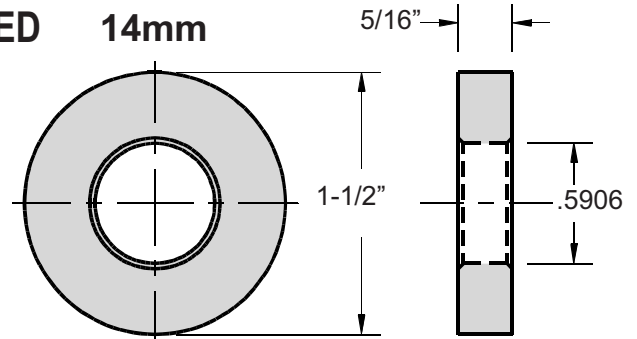
## DESIGNED FOR TOUGH MOLD CLAMPING REQUIREMENTS

MACHINED



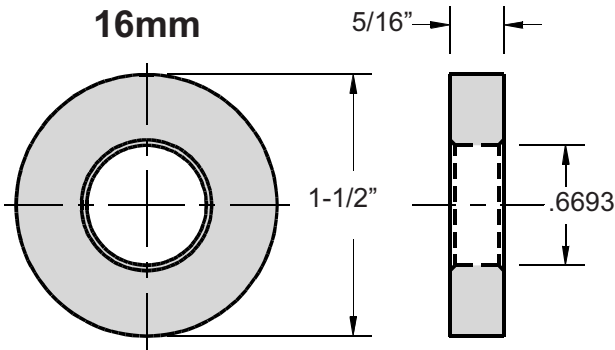
### MODEL WMM-112

1-8 PCS	.....	\$2.25
9-23 PCS	.....	\$2.18
24-99 PCS	.....	\$2.12
100+ PCS	.....	\$2.05



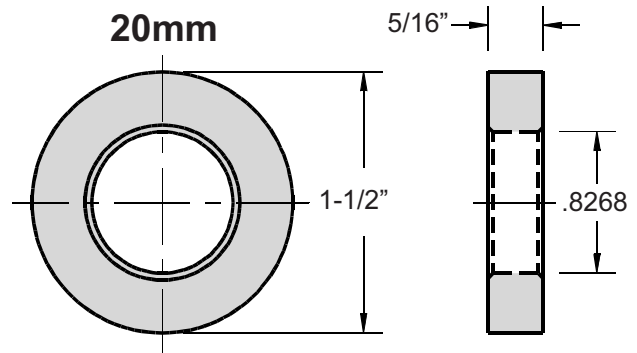
### MODEL WMM-114

1-8 PCS	.....	\$2.25
9-23 PCS	.....	\$2.18
24-99 PCS	.....	\$2.12
100+ PCS	.....	\$2.05



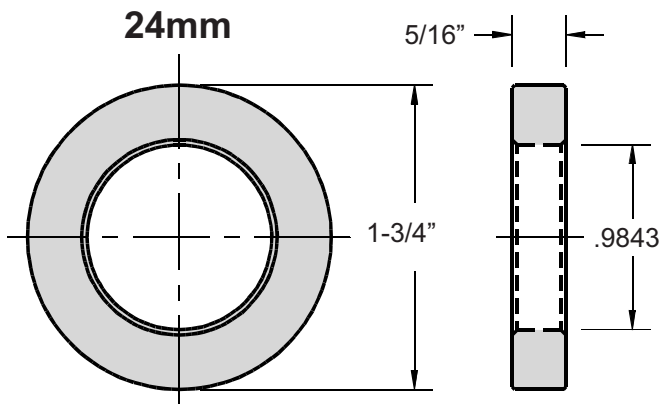
### MODEL WMM-116

1-8 PCS	.....	\$2.30
9-23 PCS	.....	\$2.19
24-99 PCS	.....	\$2.08
100+ PCS	.....	\$1.98



### MODEL WMM-120

1-8 PCS	.....	\$2.25
9-23 PCS	.....	\$2.18
24-99 PCS	.....	\$2.12
100+ PCS	.....	\$2.05



### MODEL WMM-124

1-8 PCS	.....	\$2.50
9-23 PCS	.....	\$2.42
24-99 PCS	.....	\$2.35
100+ PCS	.....	\$2.28

Note: Drawings are not to scale.



## PLASTIC PROCESS EQUIPMENT, INC.

8303 CORPORATE PARK DRIVE  
MACEDONIA, OHIO 44056  
216-367-7000 • FAX: 216-367-7022  
TOLL FREE: 800-321-0562

6385 MONTESSOURI STREET  
LAS VEGAS, NEVADA 89113  
702-433-6385 • FAX: 702-433-6388  
TOLL FREE: 800-258-8877

[www.ppe.com](http://www.ppe.com)  
e-mail: [sales@ppe.com](mailto:sales@ppe.com)

Toll Free: USA, Canada & Mexico  
**800-362-0706**

Order Fax: 800-223-8305